



ISO9001 ✓ RoHS ✓ Reach ✓



Шкивы зубчатые



Products 01/2019



Sistema di gestione qualità certificato

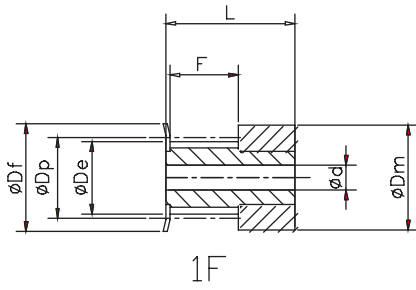
# PULLEGGE E BARRE DENTATE

# PI PULLEY

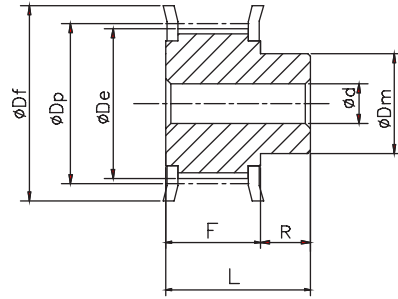


# PI PULLEY

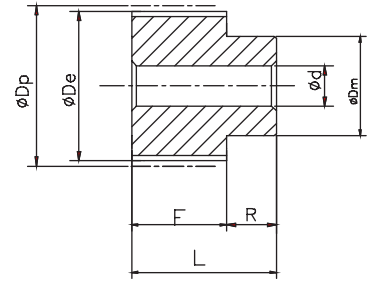
by PIZZIRANI



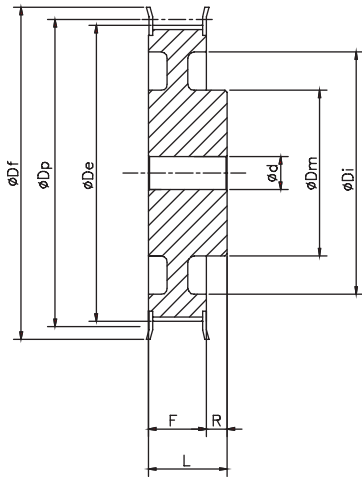
1F



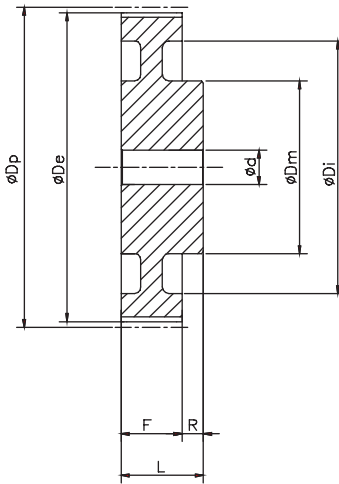
6F



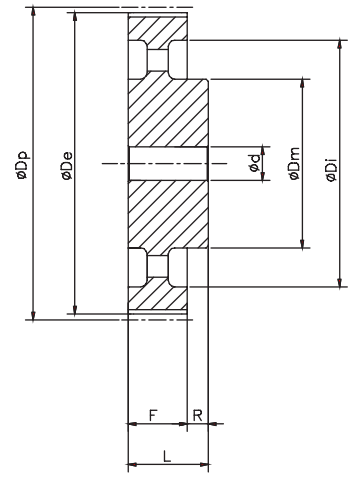
6



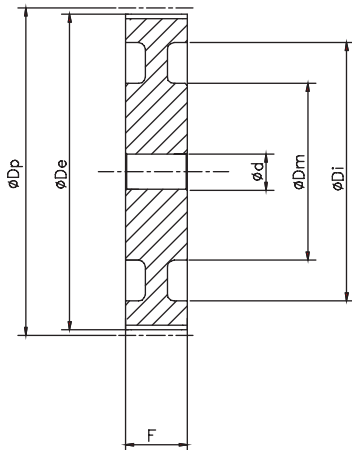
6WF



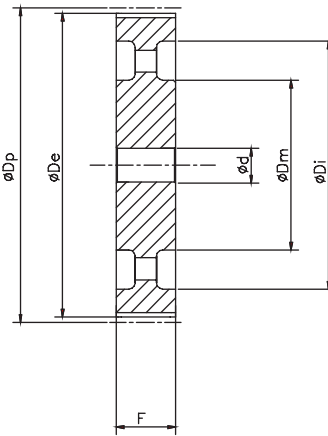
6W



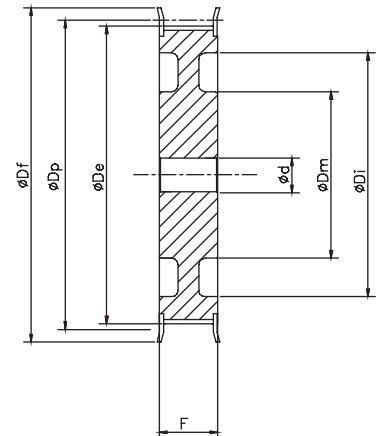
6A



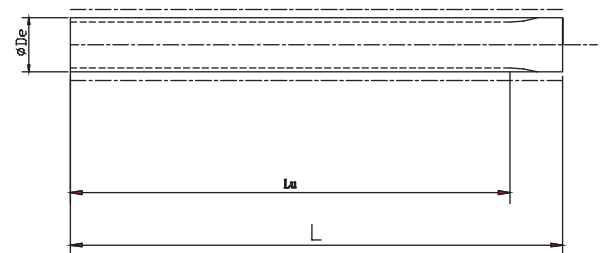
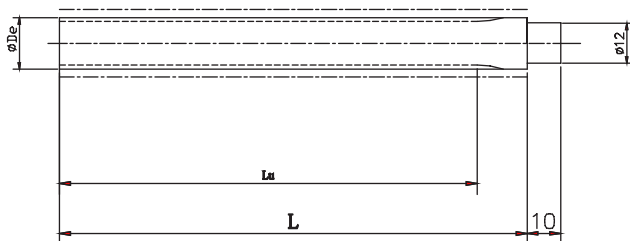
10W



10A

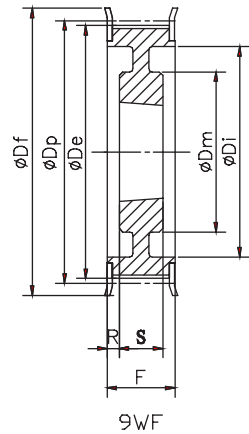
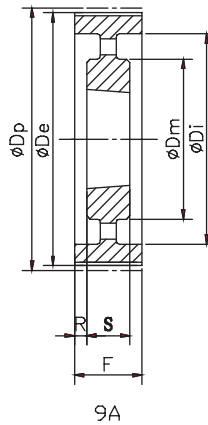
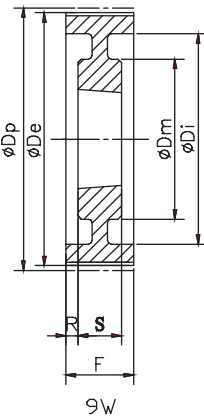
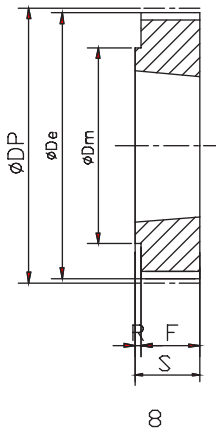
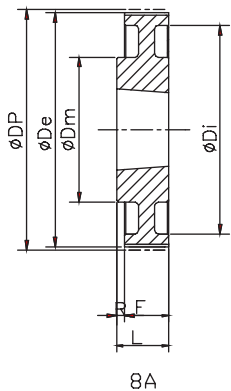
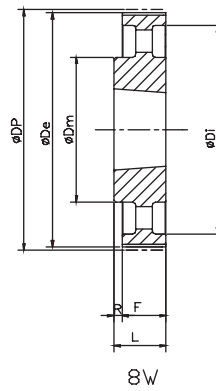
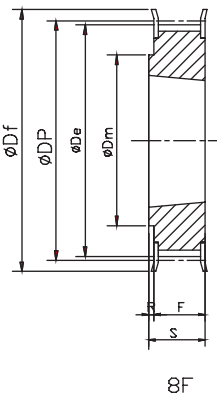
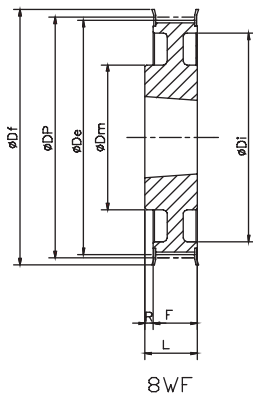
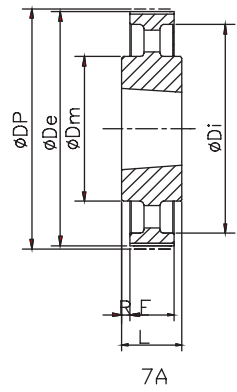
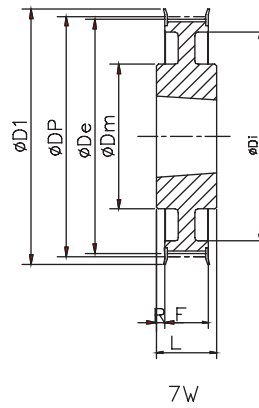
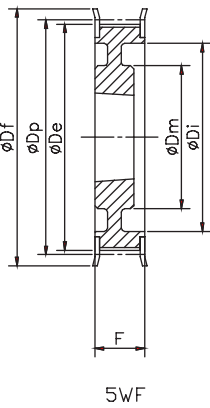
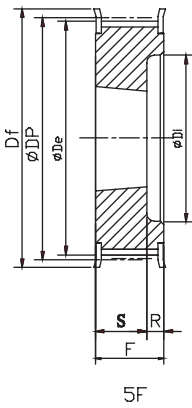
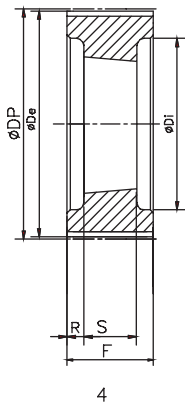
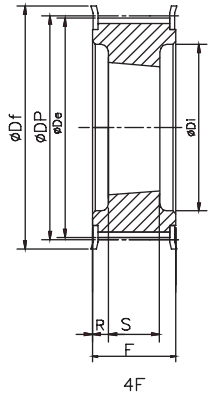
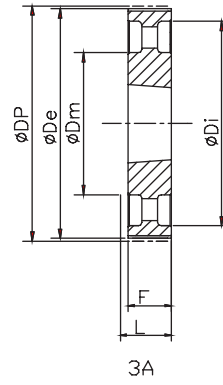
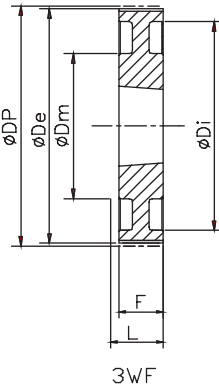
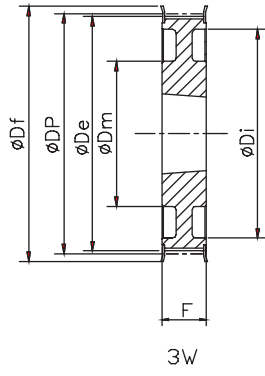
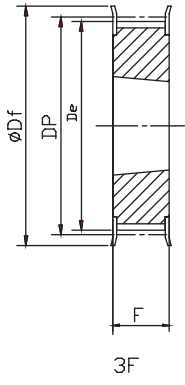


10WF



# PI PULLEY

by  PIZZIRANI



## MXL 025 (2.032mm)

Part Code	Number of Teeth	Type	Mat.	Dp	De	Df	Dm	Di	F	L	d	Flange Code
16 MXL 025	16	1F	AL	10.35	9.84	15	15	-	8.5	16	-	502
18 MXL 025	18			11.64	11.12	16	16	-	8.5	16	-	503
20 MXL 025	20			12.94	12.43	16	16	-	8.5	3	-	503
22 MXL 025	22	6F	AL	14.23	13.72	18	10	-	11	16	-	504
24 MXL 025	24	6F		15.52	15.01	20	10	-	11	16	-	505
28 MXL 025	28	6F		18.11	17.60	25	11	-	11	16	-	506
30 MXL 025	30	6F	AL	19.40	18.90	25	12	-	11	16	-	506
32 MXL 025	32	6F		20.70	20.40	25	14	-	11	16	-	506
36 MXL 025	36	6F		23.29	22.78	28	16	-	11	16	-	507
40 MXL 025	40	6F	AL	25.87	25.37	32	18	-	11	16	-	509
42 MXL 025	42	6F		27.17	26.67	32	18	-	11	16	-	509
44 MXL 025	44	6F		28.46	27.95	37	18	-	11	16	-	510
48 MXL 025	48	6	AL	31.05	30.54	-	20	-	11	16	-	-
60 MXL 025	60	6		38.81	38.30	-	24	-	11	16	-	-
72 MXL 025	72	6		46.57	46.06	-	25	-	11	16	-	-

## XL 037 (5.08mm)

Part Code	Number of Teeth	Type	Mat.	Dp	De	Df	Dm	Di	F	L	d	Flange Code
10 XL 037	10	6F		16.17	15.66	23	9.5	-	14.3	20	-	1
11 XL 037	11	6F	AL	17.79	17.28	23	9.5	-	14.3	20	-	1
12 XL 037	12	6F		19.40	18.90	25	10	-	14.3	20	-	2
13 XL 037	13	6F		21.20	20.51	25	10	-	14.3	20	-	2
14 XL 037	14	6F	AL	22.64	22.13	28	15	-	14.3	20	-	4
15 XL 037	15	6F		24.26	23.75	28	15	-	14.3	20	-	4
16 XL 037	16	6F		25.87	25.36	32	16	-	14.3	20	-	6
17 XL 037	17	6F	AL	27.49	26.98	32	20	-	14.3	20	-	6
18 XL 037	18	6F		29.11	28.60	35	20	-	14.3	20	-	7
19 XL 037	19	6F		30.72	30.22	35	20	-	14.3	22	-	7
20 XL 037	20	6F	AL	33.34	31.83	38	23.5	-	14.3	22	-	9
21 XL 037	21	6F		33.96	33.45	38	23.5	-	14.3	22	-	9
22 XL 037	22	6F		35.57	35.07	42	25	-	14.3	22	-	13
24 XL 037	24	6F	AL	38.81	38.30	44	30	-	14.3	22	8	12
26 XL 037	26	6F		42.04	41.53	48	30	-	14.3	22	8	11
27 XL 037	27	6F		43.66	43.15	48	34	-	14	22	8	11
28 XL 037	28	6F	AL	45.28	44.77	51	34	-	14	22	8	16
29 XL 037	29	6F		46.89	46.39	51	34	-	14	22	8	16
30 XL 037	30	6F		48.51	48.00	54	38	-	14	22	8	18
32 XL 037	32	6F	OR STEEL	51.74	51.24	57	38	-	14	25	8	20
34 XL 037	34	6		54.98	54.47	-	45	-	14	25	8	-
35 XL 037	35	6		56.60	56.09	-	45	-	14	25	8	-
36 XL 037	36	6	AL	58.21	57.70	-	45	-	14	25	8	-
38 XL 037	38	6		61.45	60.94	-	45	-	14	25	8	-
39 XL 037	39	6		63.06	62.56	-	45	-	14	25	8	-
40 XL 037	40	6	AL	64.68	64.17	-	45	-	14	25	8	-
41 XL 037	41	6		66.30	65.79	-	45	-	14	25	8	-
42 XL 037	42	6		67.91	67.41	-	45	-	14	25	8	-
43 XL 037	43	6	AL	69.53	69.02	-	45	-	14	25	8	-
44 XL 037	44	6		71.15	70.64	-	45	-	14	25	8	-
45 XL 037	45	6W		72.77	72.26	-	45	61	14.3	25	10	-
46 XL 037	46	6W	AL	74.38	73.87	-	45	61	14.3	25	10	-
47 XL 037	47	6W		76.00	75.49	-	45	61	14.3	25	10	-
48 XL 037	48	6W		77.62	77.11	-	45	61	14.3	25	10	-
49 XL 037	49	6W	AL	79.23	78.73	-	45	61	14.3	25	10	-
52 XL 037	52	6W		84.08	83.58	-	45	67	14.3	25	10	-
56 XL 037	56	6W		90.55	90.04	-	45	80	14.3	25	10	-
57 XL 037	57	6W	STEEL	92.17	91.66	-	45	80	14.3	25	10	-
58 XL 037	58	6W		93.79	93.28	-	45	80	14.3	25	10	-
59 XL 037	59	6W		95.40	94.90	-	45	80	14.3	25	10	-
60 XL 037	60	6W	AL	97.20	96.51	-	45	80	14.3	25	10	-
68 XL 037	68	6W		109.96	109.45	-	45	100	14.3	25	10	-
69 XL 037	69	6W		111.57	111.07	-	45	100	14.3	25	10	-
70 XL 037	70	6W	AL	113.19	112.68	-	45	100	14.3	25	10	-
71 XL 037	71	6W		114.81	114.30	-	45	100	14.3	25	10	-
72 XL 037	72	6W	AL	116.42	115.92	-	45	100	14	25	10	-

## L 050 (9.525mm)

Part Code	Number of Teeth	Type	Mat.	Dp	De	Df	Dm	Di	F	L	d	Flange Code
10 L 050	10	6F		30.32	29.56	37	20	-	19	28	8	50
11 L 050	11	6F	STEEL	33.35	32.59	37	22	-	19	30	8	50
12 L 050	12	6F		36.38	35.62	43	24	-	19	30	8	52
13 L 050	13	6F		39.41	38.65	44	28	-	19	30	8	83
14 L 050	14	6F	STEEL	42.45	41.68	48	28	-	19	30	8	54
15 L 050	15	6F		45.48	44.72	51	34	-	19	30	8	55
16 L 050	16	6F		48.51	47.75	54	36	-	19	32	8	56
17 L 050	17	6F	STEEL	51.54	50.78	57	36	-	19	32	10	57
18 L 050	18	6F		54.57	53.81	60	40	-	19	32	10	58
19 L 050	19	6F		57.61	56.84	64	40	-	19	32	10	59
20 L 050	20	6F	STEEL	60.64	59.88	66	40	-	19	32	10	60
21 L 050	21	6F		63.67	62.91	70	45	-	19	32	10	61
22 L 050	22	6F		66.70	65.94	75	45	-	19	32	10	62
23 L 050	23	6F	STEEL	69.73	68.97	79	55	-	19	32	10	63
24 L 050	24	6F		72.77	72.00	79	55	-	19	32	10	63
25 L 050	25	6F		75.80	75.04	83	58	-	19	32	10	64
26 L 050	26	6F	STEEL	78.83	78.07	87	58	-	19	32	11	65
27 L 050	27	6F		81.86	81.10	87	58	-	19	32	11	65
28 L 050	28	6F		84.89	84.13	91	58	-	19	32	11	66
29 L 050	29	6F	STEEL	87.93	87.16	93	58	-	19	32	11	67
30 L 050	30	6F		90.96	90.20	97	70	-	19	32	11	68
32 L 050	32	6F		97.02	96.26	102	70	-	19	32	11	70
33 L 050	33	6F	STEEL	100.05	99.29	106	70	-	19	32	11	71
34 L 050	34	6F		103.08	102.32	112	70	-	19	32	11	70
35 L 050	35	6F		106.12	105.35	115	70	-	19	32	11	72
36 L 050	36	6F	STEEL	109.15	108.39	128	70	-	19	32	11	74
40 L 050	40	6WF		121.28	120.51	131	70	100	19	32	11	78
41 L 050	41	6WF		124.31	123.55	135	70	103	19	32	11	87
42 L 050	42	6WF	STEEL	127.34	126.58	142	70	106	19	32	11	80
44 L 050	44	6WF		133.40	132.64	142	70	112	19	32	11	81
45 L 050	45	6WF		136.44	135.67	150	70	115	19	32	11	81
47 L 050	47	6WF	STEEL	142.50	141.74	150	70	121	19	32	11	85
48 L 050	48	6WF		145.53	144.77	-	70	124	19	32	11	85
49 L 050	49	6W		148.56	147.80	-	70	127	19	32	14	-
50 L 050	50	6W	STEEL	151.60	150.83	-	70	130	19	32	14	-
52 L 050	52	6W		157.66	156.90	-	70	136	19	32	14	-
56 L 050	56	6W		169.79	169.02	-	70	149	19	32	14	-
57 L 050	57	6W	CAST IRON	172.82	172.06	-	70	152	19	42	14	-
60 L 050	60	6W		181.91	181.15	-	75	160	19	42	14	-
65 L 050	65	6A		197.07	196.31	-	75	176	19	42	14	-
66 L 050	66	6A	CAST IRON	200.11	199.34	-	75	179	19	42	14	-
72 L 050	72	6A		218.30	217.53	-	75	197	19	42	14	-
84 L 050	84	6A		254.68	253.92	-	75	233	19	42	14	-
90 L 050	90	6A	CAST IRON	272.87	272.11	-	75	252	19	42	14	-
96 L 050	96	6A		291.06	290.30	-	75	269	19	42	14	-
120 L 050	120	6A	CAST IRON	363.83	363.07	-	75	342	19	42	14	-

## L 075 (9.525mm)

Part Code	Number of Teeth	Type	Mat.	Dp	De	Df	Dm	Di	F	L	d	Flange Code
10 L 075	10	6F		30.32	29.56	37	20	-	25.4	38	8	50
11 L 075	11	6F	STEEL	33.35	32.59	37	22	-	25.4	38	8	50
12 L 075	12	6F		36.38	35.62	43	24	-	25.4	38	8	52
13 L 075	13	6F		39.41	38.65	44	28	-	25.4	38	8	83
14 L 075	14	6F	STEEL	42.45	41.68	48	28	-	25.4	38	11	54
15 L 075	15	6F		45.48	44.72	51	34	-	25.4	38	11	55
16 L 075	16	6F		48.51	47.75	54	36	-	25.4	38	11	56
17 L 075	17	6F	STEEL	51.54	50.78	57	36	-	25.4	38	11	57
18 L 075	18	6F		54.57	53.81	60	40	-	25.4	38	11	58
19 L 075	19	6F		57.61	56.84	64	40	-	25.4	38	11	59
20 L 075	20	6F	STEEL	60.64	59.88	66	40	-	25.4	38	11	60
21 L 075	21	6F		63.67	62.91	70	45	-	25.4	38	11	61
22 L 075	22	6F		66.70	65.94	75	45	-	25.4	38	11	62
23 L 075	23	6F	STEEL	69.73	68.97	79	55	-	25.4	38	11	63
24 L 075	24	6F		72.77	72.00	79	55	-	25.4	38	11	63
25 L 075	25	6F		75.80	75.04	83	58	-	25.4	38	11	64
26 L 075	26	6F	STEEL	78.83	78.07	87	58	-	25.4	38	11	65
27 L 075	27	6F		81.86	81.10	87	58	-	25.4	38	11	65
28 L 075	28	6F		84.89	84.13	91	58	-	25.4	38	11	66
29 L 075	29	6F	STEEL	87.93	87.16	93	58	-	25.4	38	11	67
30 L 075	30	6F		90.96	90.20	97	70	-	25.4	38	11	68
32 L 075	32	6F		97.02	96.26	102	70	-	25.4	38	11	70
33 L 075	33	6F	STEEL	100.05	99.29	106	70	-	25.4	38	11	71
34 L 075	34	6F		103.08	102.32	112	70	-	25.4	38	11	70
35 L 075	35	6F		106.12	105.35	115	70	-	25.4	38	11	72
36 L 075	36	6F	STEEL	109.15	108.39	128	70	-	25.4	38	11	74
40 L 075	40	6WF		121.28	120.51	131	70	100	25.4	38	11	78
41 L 075	41	6WF		124.31	123.55	135	70	103	25.4	38	11	87
42 L 075	42	6WF	STEEL	127.34	126.58	142	70	106	25.4	38	11	80
44 L 075	44	6WF		133.40	132.64	142	70	112	25.4	38	11	81
45 L 075	45	6WF		136.44	135.67	150	70	115	25.4	38	11	81
47 L 075	47	6WF	STEEL	142.50	141.74	150	70	121	25.4	38	11	85
48 L 075	48	6WF		145.53	144.77	-	70	124	25.4	38	11	85
49 L 075	49	6W		148.56	147.80	-	70	127	19	38	14	-
50 L 075	50	6W	STEEL	151.60	150.83	-	70	130	19	38	14	-
52 L 075	52	6W		157.66	156.90	-	70	136	19	38	14	-
56 L 075	56	6W		169.79	169.02	-	70	149	19	38	14	-
57 L 075	57	6W	STEEL	172.82	172.06	-	70	152	19	38	14	-
60 L 075	60	6W		181.91	181.15	-	75	160	19	38	14	-
65 L 075	65	6A		197.07	196.31	-	75	176	25.4	45	14	-
66 L 075	66	6A	IRON	200.11	199.34	-	75	179	25.4	45	14	-
72 L 075	72	6A		218.30	217.53	-	75	25.47	25.4	45	14	-
84 L 075	84	6A		254.68	253.92	-	75	233	25	45	14	-
90 L 075	90	6A	IRON	272.87	272.11	-	75	252	25	45	14	-
96 L 075	96	6A		291.06	290.30	-	75	269	25	45	14	-
120 L 075	120	6A	IRON	363.83	363.07	-	75	342	25	45	14	-

## L 100 (9.525mm)

Part Code	Number of Teeth	Type	Mat.	Dp	De	Df	Dm	Di	F	L	d	Flange Code
11 L 100	10	6F	STEEL	30.32	29.56	37	20	-	31.8	45	8	50
12 L 100	11	6F		33.35	32.59	37	22	-	31.8	45	8	50
13 L 100	12	6F		36.45	35.62	43	24	-	31.8	45	8	52
14 L 100	13	6F	STEEL	39.41	45.65	44	28	-	31.8	45	8	83
15 L 100	14	6F		42.45	41.68	48	28	-	31.8	45	11	54
16 L 100	15	6F		45.48	44.72	51	34	-	31.8	45	11	55
17 L 100	16	6F	STEEL	48.51	47.75	54	36	-	31.8	45	11	56
18 L 100	17	6F		51.54	50.78	57	36	-	31.8	45	11	57
19 L 100	18	6F		54.57	53.81	60	40	-	31.8	45	11	58
20 L 100	19	6F	STEEL	57.61	56.84	64	40	-	31.8	45	11	59
21 L 100	20	6F		60.64	59.88	66	40	-	31.8	45	11	60
22 L 100	21	6F		63.67	62.91	70	45	-	31.8	45	11	61
23 L 100	22	6F	STEEL	66.70	65.94	75	45	-	31.8	45	11	62
24 L 100	23	6F		69.73	68.97	79	55	-	31.8	45	11	63
25 L 100	24	6F		72.77	72.00	79	55	-	31.8	45	11	63
26 L 100	25	6F	STEEL	75.80	75.04	83	58	-	31.8	45	11	64
27 L 100	26	6F		78.83	78.07	87	58	-	31.8	45	11	65
28 L 100	27	6F		81.86	81.10	87	58	-	31.8	45	11	65
29 L 100	28	6F	STEEL	84.89	84.13	91	58	-	31.8	45	11	66
30 L 100	29	6F		87.93	87.16	93	58	-	31.8	45	11	67
31 L 100	30	6F		90.96	90.20	97	70	-	31.8	45	11	68
32 L 100	32	6F	STEEL	97.02	96.26	102	70	-	31.8	45	11	70
33 L 100	33	6F		100.05	99.29	106	70	-	31.8	45	11	71
34 L 100	34	6F		103.08	102.32	112	70	-	31.8	45	11	72
35 L 100	35	6F	STEEL	106.12	105.35	115	70	-	31.8	45	11	72
36 L 100	36	6F		109.15	108.39	128	70	-	31.8	45	11	74
40 L 100	40	6WF		121.28	120.51	131	70	100	31.8	45	11	78
41 L 100	41	6WF	STEEL	124.31	123.55	135	70	103	31.8	45	11	87
42 L 100	42	6WF		127.34	126.58	142	70	106	31.8	45	11	80
44 L 100	44	6WF		133.40	132.64	142	70	112	31.8	45	11	81
45 L 100	45	6WF	STEEL	136.44	135.67	150	70	115	31.8	45	11	81
47 L 100	47	6WF		142.50	141.74	150	70	121	31.8	45	11	85
48 L 100	48	6WF		145.53	144.77	-	70	124	31.8	45	11	85
49 L 100	49	6W	STEEL	148.56	147.80	-	70	127	31.8	45	14	-
50 L 100	50	6W		151.60	150.83	-	70	130	31.8	45	14	-
52 L 100	52	6W		157.66	156.90	-	70	136	31.8	45	14	-
56 L 100	56	6W	STEEL	169.79	169.02	-	70	149	31.8	45	14	-
57 L 100	57	6W		172.82	172.06	-	70	152	31.8	45	14	-
60 L 100	60	6W		181.91	181.15	-	75	160	31.8	45	14	-
65 L 100	65	6A	IRON	197.07	196.31	-	75	176	31.8	50	14	-
66 L 100	66	6A		200.11	199.34	-	75	179	31.8	50	14	-
72 L 100	72	6A		218.30	217.53	-	75	197	31.8	50	14	-
84 L 100	84	6A	IRON	254.68	253.92	-	75	233	31.8	50	14	-
90 L 100	90	6A		272.87	272.11	-	75	252	31.8	50	14	-
96 L 100	96	6A		291.06	290.30	-	75	269	31.8	50	14	-
120 L 100	120	6A	IRON	363.83	363.07	-	75	342	31.8	50	14	-

## H 075 (12.700mm)

Part Code	Number of Teeth	Type	Mat.	Dp	De	Df	Dm	Di	F	L	d	Flange Code
14 H 075	14	6F	STEEL	56.60	55.22	64	40	-	26.4	40	8	59
15 H 075	15	6F		60.64	59.27	66	45	-	26.4	40	8	60
16 H 075	16	6F		64.68	63.31	70	45	-	26.4	40	8	61
17 H 075	17	6F	STEEL	68.72	67.35	75	45	-	26.4	40	8	62
18 H 075	18	6F		72.77	71.39	79	55	-	26.4	40	11	63
19 H 075	19	6F		76.81	75.44	83	60	-	26.4	40	11	64
20 H 075	20	6F	STEEL	80.85	79.48	87	62	-	26.4	40	11	65
21 H 075	21	6F		84.89	83.52	91	65	-	26.4	40	11	66
22 H 075	22	6F		88.94	87.56	93	68	-	26.4	40	11	67
23 H 075	23	6F	STEEL	92.98	91.61	97	72	-	26.4	40	11	68
24 H 075	24	6F		97.02	95.65	102	72	-	26.4	40	11	70
25 H 075	25	6F		101.06	99.69	106	72	-	26.4	40	11	71
26 H 075	26	6F	STEEL	105.11	103.73	112	80	-	26.4	40	11	72
27 H 075	27	6F		109.15	107.78	115	80	-	26.4	40	11	74
28 H 075	28	6F		113.19	111.82	120	80	-	26.4	40	11	75
29 H 075	29	6F	STEEL	117.23	115.86	123	80	-	26.4	40	11	88
30 H 075	30	6F		121.28	119.90	128	80	-	26.4	40	11	78
32 H 075	32	6F		129.36	127.99	135	80	-	26.4	40	11	80
33 H 075	33	6F	STEEL	133.40	132.03	140	80	-	26.4	40	11	81
34 H 075	34	6F		137.45	136.07	142	80	-	26.4	40	11	81
35 H 075	35	6F		141.49	140.12	150	80	-	26.4	40	11	85
36 H 075	36	6F	STEEL	145.53	144.16	150	80	118	26.4	40	11	86
38 H 075	38	6F		153.62	152.24	158	80	126	26.4	40	11	90
40 H 075	40	6F		161.70	160.33	168	80	134	26.4	40	11	89
42 H 075	42	6F	IRON	169.79	168.41	175	80	140	26.4	40	11	95
44 H 075	44	6WF		177.87	176.50	184	80	150	26.4	40	14	96
45 H 075	45	6WF		181.91	180.54	192	80	154	26.4	40	14	100
48 H 075	48	6WF	IRON	194.04	192.67	200	90	166	26.4	45	14	-
49 H 075	49	6W		198.08	196.71	-	90	170	26.4	45	14	-
50 H 075	50	6W		202.13	200.75	-	90	174	26.4	45	14	-

## H 100 (12.700mm)

Part Code	Number of Teeth	Ty	Mat.	Dp	De	Df	Dm	Di	F	L	d	Flange Code
14 H 100	14	6F	STEEL	56.60	55.22	64	40	-	31.8	45	11	59
15 H 100	15	6F		60.64	59.27	66	45	-	31.8	45	11	60
16 H 100	16	6F		64.68	63.31	70	45	-	31.8	45	11	61
17 H 100	17	6F	STEEL	68.72	67.35	75	45	-	31.8	45	11	62
18 H 100	18	6F		72.77	71.39	79	55	-	31.8	45	14	63
19 H 100	19	6F		76.81	75.44	83	60	-	31.8	45	14	64
20 H 100	20	6F	STEEL	80.85	79.48	87	62	-	31.8	45	14	65
21 H 100	21	6F		84.89	83.52	91	65	-	31.8	45	14	66
22 H 100	22	6F		88.94	87.56	93	68	-	31.8	45	14	67
23 H 100	23	6F	STEEL	92.98	91.61	97	72	-	31.8	45	14	68
24 H 100	24	6F		97.02	95.65	102	72	-	31.8	45	14	70
25 H 100	25	6F		101.06	99.69	106	72	-	31.8	45	14	71
26 H 100	26	6F	STEEL	105.11	103.73	112	80	-	31.8	45	14	72
27 H 100	27	6F		109.15	107.78	115	80	-	31.8	45	14	74
28 H 100	28	6F		113.19	111.82	120	80	-	31.8	45	14	75
29 H 100	29	6F	STEEL	117.23	115.86	123	80	-	31.8	45	14	88
30 H 100	30	6F		121.28	119.90	128	80	-	31.8	45	14	78
32 H 100	32	6F		129.36	127.99	135	80	-	31.8	45	14	80
33 H 100	33	6F	STEEL	133.40	132.03	145	80	-	31.8	45	14	81
34 H 100	34	6F		137.45	136.07	142	80	-	31.8	45	14	81
35 H 100	35	6F		141.49	140.12	150	80	-	31.8	45	14	85
36 H 100	36	6F	STEEL	145.53	144.16	150	80	118	31.8	45	14	85
38 H 100	38	6F		153.62	152.24	158	80	126	31.8	45	14	86
40 H 100	40	6F		161.70	160.33	168	80	134	31.8	45	14	90
42 H 100	42	6F	STEEL	169.79	168.41	175	80	140	31.8	45	14	89
44 H 100	44	6WF		177.87	176.50	184	80	150	31.8	50	14	95
45 H 100	45	6WF		181.91	180.54	192	80	154	31.8	50	14	97
48 H 100	48	6WF	STEEL	194.04	192.67	200	90	166	31.8	50	14	100
49 H 100	49	6W		198.08	196.71	-	90	170	31.8	50	19	-
50 H 100	50	6W		202.13	200.75	-	90	174	31.8	50	19	-
52 H100	52	6W	IRON	210.21	208.84	-	90	182	31.8	50	19	-
58 H100	58	6A		234.47	233.09	-	90	207	31.8	50	19	-
60 H100	60	6A		242.55	241.18	-	90	215	31.8	50	19	-
70 H100	70	6A	IRON	282.98	281.61	-	100	255	31.8	55	19	-
72 H100	72	6A		291.06	289.69	-	100	263	31.8	55	19	-
82 H100	82	6A		331.49	330.12	-	100	304	31.8	55	19	-
84 H100	84	6A	IRON	339.57	338.20	-	100	312	31.8	55	19	-
94 H100	94	6A		380.00	378.63	-	120	352	31.8	60	19	-
96 H100	96	6A		388.08	386.71	-	120	360	31.8	60	19	-
106 H100	106	6A	IRON	428.51	427.14	-	120	401	31.8	60	19	-
116 H100	116	6A		468.93	467.56	-	120	441	31.8	60	19	-
118 H100	118	6A		477.02	475.65	-	120	449	31.8	60	19	-
120 H100	120	6A	IRON	485.10	483.73	-	120	458	31.8	60	19	-
150 H100	150	6A	IRON	606.38	605.01	-	120	579	31.8	60	19	-
152 H100	152	6A		614.47	613.09	-	120	587	31.8	60	19	-
154 H100	154	6A	IRON	622.55	621.18	-	120	595	31.8	60	19	-
156 H100	156	6A		630.64	629.26	-	120	603	31.8	60	19	-

## H 150 (12.700mm)

Part Code	Number of Teeth	Type	Mat.	Dp	De	Df	Dm	Di	F	L	d	Flange Code
14 H 150	14	6F	STEEL	56.60	55.22	64	40	-	46	58	11	59
15 H 150	15	6F		60.64	59.27	66	45	-	46	58	11	60
16 H 150	16	6F		64.68	63.31	70	45	-	46	58	11	61
17 H 150	17	6F	STEEL	68.72	67.35	75	45	-	46	58	11	62
18 H 150	18	6F		72.77	71.39	79	55	-	46	58	14	63
19 H 150	19	6F		76.81	75.44	83	60	-	46	58	14	64
20 H 150	20	6F	STEEL	80.85	79.48	87	62	-	46	58	14	65
21 H 150	21	6F		84.89	83.52	91	65	-	46	58	14	66
22 H 150	22	6F		88.94	87.56	93	68	-	46	58	14	67
23 H 150	23	6F	STEEL	92.98	91.61	97	72	-	46	58	14	68
24 H 150	24	6F		97.02	95.65	102	72	-	46	58	14	70
25 H 150	25	6F		101.06	99.69	106	72	-	46	58	14	71
26 H 150	26	6F	STEEL	105.11	103.73	112	80	-	46	58	14	72
27 H 150	27	6F		109.15	107.78	115	80	-	46	58	14	74
28 H 150	28	6F		113.19	111.82	120	80	-	46	58	14	75
29 H 150	29	6F	STEEL	117.23	115.86	123	80	-	46	58	14	88
30 H 150	30	6F		121.28	119.90	128	80	-	46	58	14	78
32 H 150	32	6F		129.36	127.99	135	80	-	46	58	14	80
33 H 150	33	6F	STEEL	133.40	132.03	145	80	-	46	58	14	81
34 H 150	34	6F		137.45	136.07	142	80	-	46	58	14	81
35 H 150	35	6F		141.49	140.12	150	80	-	46	58	14	85
36 H 150	36	6F	STEEL	145.53	144.16	150	80	118	46	58	14	85
38 H 150	38	6F		153.62	152.24	158	80	126	46	58	14	86
40 H 150	40	6F		161.70	160.33	168	80	134	46	58	14	90
42 H 150	42	6F	STEEL	169.79	168.41	175	80	140	46	58	19	89
44 H 150	44	6WF		177.87	176.50	184	80	150	46	58	19	95
45 H 150	45	6WF		181.91	180.54	192	80	154	46	58	19	97
48 H 150	48	6WF	STEEL	194.04	192.67	200	90	166	46	65	19	100
49 H 150	49	6W		198.08	196.71	-	90	170	46	65	19	-
50 H 150	50	6W		202.13	200.75	-	90	174	46	65	19	-
52 H150	52	6W	IRON	210.21	208.84	-	90	182	46	65	19	-
58 H150	58	6A		234.47	233.09	-	90	207	46	65	19	-
60 H150	60	6A		242.55	241.18	-	90	215	46	65	19	-
70 H150	70	6A	IRON	282.98	281.61	-	100	255	46	65	24	-
72 H150	72	6A		291.06	289.69	-	100	263	46	65	24	-
82 H150	82	6A		331.49	330.12	-	100	304	46	65	24	-
84 H150	84	6A	IRON	339.57	338.20	-	100	312	46	65	24	-
94 H150	94	6A		380.00	378.63	-	120	352	46	65	24	-
96 H150	96	6A		388.08	386.71	-	120	360	46	65	24	-
106 H150	106	6A	IRON	428.51	427.14	-	120	401	46	65	24	-
116 H150	116	6A		468.93	467.56	-	120	441	46	65	24	-
118 H150	118	6A		477.02	475.65	-	120	449	46	65	24	-
120 H150	120	6A	IRON	485.10	483.73	-	120	458	46	65	24	-
150 H150	150	6A		606.38	605.01	-	120	579	46	65	24	-
152 H150	152	6A		614.47	613.09	-	120	587	46	65	24	-
154 H150	154	6A	IRON	622.55	621.18	-	120	595	46	65	24	-
156 H150	156	6A		630.64	629.26	-	120	603	46	65	24	-

## H 200 (12.700mm)

Part Code	Number of Teeth	Type	Mat.	Dp	De	Df	Dm	Di	F	L	d	Flange Code
14 H 200	14	6F	STEEL	56.60	55.22	64	40	-	85.7	70	11	59
15 H 200	15	6F		60.64	59.27	66	45	-	58.7	70	11	60
16 H 200	16	6F		64.68	63.31	70	45	-	58.7	70	11	61
17 H 200	17	6F	STEEL	68.72	67.35	75	45	-	58.7	70	11	62
18 H 200	18	6F		72.77	71.39	79	55	-	58.7	70	14	63
19 H 200	19	6F		76.81	75.44	83	60	-	58.7	70	14	64
20 H 200	20	6F	STEEL	80.85	79.48	87	62	-	58.7	70	14	65
21 H 200	21	6F		84.89	83.52	91	65	-	58.7	70	14	66
22 H 200	22	6F		88.94	87.56	93	68	-	58.7	70	14	67
23 H 200	23	6F	STEEL	92.98	91.61	97	72	-	58.7	70	14	68
24 H 200	24	6F		97.02	95.65	102	72	-	58.7	70	14	70
25 H 200	25	6F		101.06	99.69	106	72	-	58.7	70	14	71
26 H 200	26	6F	STEEL	105.11	103.73	112	80	-	58.7	70	14	72
27 H 200	27	6F		109.15	107.78	115	80	-	58.7	70	14	74
28 H 200	28	6F		113.19	111.82	120	80	-	58.7	70	14	75
29 H 200	29	6F	STEEL	117.23	115.86	123	80	-	58.7	70	14	88
30 H 200	30	6F		121.28	119.90	128	80	-	58.7	70	14	78
32 H 200	32	6F		129.36	127.99	135	80	-	58.7	70	14	80
33 H 200	33	6F	STEEL	133.40	132.03	145	80	-	58.7	70	14	81
34 H 200	34	6F		137.45	136.07	142	80	-	58.7	70	14	81
35 H 200	35	6F		141.49	140.12	150	80	-	58.7	70	14	85
36 H 200	36	6F	STEEL	145.53	144.16	150	80	118	58.7	70	14	85
38 H 200	38	6F		153.62	152.24	158	80	126	58.7	70	14	86
40 H 200	40	6F		161.70	160.33	168	80	134	58.7	70	14	90
42 H 200	42	6F	STEEL	169.79	168.41	175	80	140	58.7	70	19	89
44 H 200	44	6WF		177.87	176.50	184	80	150	58.7	70	19	95
45 H 200	45	6WF		181.91	180.54	192	80	154	58.7	70	19	97
48 H 200	48	6WF	STEEL	194.04	192.67	200	90	166	58.7	75	24	100
49 H 200	49	6W		198.08	196.71	-	90	170	58.7	75	24	-
50 H 200	50	6W		202.13	200.75	-	90	174	58.7	75	24	-
52 H200	52	6W	IRON	210.21	208.84	-	90	182	58.7	75	24	-
58 H200	58	6A		234.47	233.09	-	90	207	58.7	75	24	-
60 H200	60	6A		242.55	241.18	-	90	215	58.7	75	24	-
70 H200	70	6A	IRON	282.98	281.61	-	100	255	58.7	75	24	-
72 H200	72	6A		291.06	289.69	-	100	263	58.7	75	24	-
82 H200	82	6A		331.49	330.12	-	100	304	58.7	75	24	-
84 H200	84	6A	IRON	339.57	338.20	-	100	312	58.7	75	24	-
94 H200	94	6A		380.00	378.63	-	120	352	58.7	75	24	-
96 H200	96	6A		388.08	386.71	-	120	360	58.7	75	24	-
106 H200	106	6A	IRON	428.51	427.14	-	120	401	58.7	75	24	-
116 H200	116	6A		468.93	467.56	-	120	441	58.7	75	24	-
118 H200	118	6A		477.02	475.65	-	120	449	58.7	75	24	-
120 H200	120	6A	IRON	485.10	483.73	-	120	458	58.7	75	24	-
150 H200	150	6A		606.38	605.01	-	120	579	58.7	75	24	-
152 H200	152	6A		614.47	613.09	-	120	587	58.7	75	24	-
154 H200	154	6A	IRON	622.55	621.18	-	120	595	58.7	75	24	-
156 H200	156	6A		630.64	629.26	-	120	603	58.7	75	24	-

## H 300 (12.700mm)

Part Code	Number of Teeth	Type	Mat.	Dp	De	Df	Dm	Di	F	L	d	Flange Code
14 H 300	14	6F	STEEL	56.60	55.22	64	40	-	85.7	100	11	59
15 H 300	15	6F		60.64	59.27	66	45	-	85.7	100	11	60
16 H 300	16	6F		64.68	63.31	70	45	-	85.7	100	11	61
17 H 300	17	6F	STEEL	68.72	67.35	75	45	-	85.7	100	11	62
18 H 300	18	6F		72.77	71.39	79	55	-	85.7	100	19	63
19 H 300	19	6F		76.81	75.44	83	60	-	85.7	100	19	64
20 H 300	20	6F	STEEL	80.85	79.48	87	62	-	85.7	100	19	65
21 H 300	21	6F		84.89	83.52	91	65	-	85.7	100	19	66
22 H 300	22	6F		88.94	87.56	93	68	-	85.7	100	19	67
23 H 300	23	6F	STEEL	92.98	91.61	97	72	-	85.7	100	19	68
24 H 300	24	6F		97.02	95.65	102	72	-	85.7	100	19	70
25 H 300	25	6F		101.06	99.69	106	72	-	85.7	100	19	71
26 H 300	26	6F	STEEL	105.11	103.73	112	80	-	85.7	100	19	72
27 H 300	27	6F		109.15	107.78	115	80	-	85.7	100	19	74
28 H 300	28	6F		113.19	111.82	120	80	-	85.7	100	19	75
29 H 300	29	6F	STEEL	117.23	115.86	123	80	-	85.7	100	19	88
30 H 300	30	6F		121.28	119.90	128	80	-	85.7	100	19	78
32 H 300	32	6F		129.36	127.99	135	80	-	85.7	100	19	80
33 H 300	33	6F	STEEL	133.40	132.03	145	80	-	85.7	100	19	81
34 H 300	34	6F		137.45	136.07	142	80	-	85.7	100	19	81
35 H 300	35	6F		141.49	140.12	150	80	-	85.7	100	19	85
36 H 300	36	6F	STEEL	145.53	144.16	150	80	118	85.7	100	19	85
38 H 300	38	6F		153.62	152.24	158	80	126	85.7	100	19	86
40 H 300	40	6F		161.70	160.33	168	80	134	85.7	100	19	90
42 H 300	42	6F	STEEL	169.79	168.41	175	80	140	85.7	100	24	89
44 H 300	44	6WF		177.87	176.50	184	80	150	85.7	100	24	95
45 H 300	45	6WF		181.91	180.54	192	80	154	85.7	100	24	97
48 H 300	48	6WF	STEEL	194.04	192.67	200	90	166	85.7	100	24	100
49 H 300	49	6W		198.08	196.71	-	90	170	85.7	100	24	-
50 H 300	50	6W		202.13	200.75	-	90	174	85.7	100	24	-
52 H300	52	6W	STEEL	210.21	208.84	-	90	182	85.7	100	24	-
58 H300	58	6A		234.47	233.09	-	90	207	85.7	100	24	-
60 H300	60	6A		242.55	241.18	-	90	215	85.7	100	28	-
70 H300	70	6A	IRON	282.98	281.61	-	100	255	85.7	100	28	-
72 H300	72	6A		291.06	289.69	-	100	263	85.7	100	28	-
82 H300	82	6A		331.49	330.12	-	100	304	85.7	100	28	-
84 H300	84	6A	IRON	339.57	338.20	-	100	312	85.7	100	28	-
94 H300	94	6A		380.00	378.63	-	120	352	85.7	100	28	-
96 H300	96	6A		388.08	386.71	-	120	360	85.7	100	28	-
106 H300	106	6A	IRON	428.51	427.14	-	120	401	85.7	100	28	-
116 H300	116	6A		468.93	467.56	-	120	441	85.7	100	28	-
118 H300	118	6A		477.02	475.65	-	120	449	85.7	100	28	-
120 H300	120	6A	IRON	485.10	483.73	-	120	458	85.7	100	28	-
150 H300	150	6A		606.38	605.01	-	120	579	85.7	100	28	-
152 H300	152	6A		614.47	613.09	-	120	587	85.7	100	28	-
154 H300	154	6A	IRON	622.55	621.18	-	120	595	85.7	100	28	-
156 H300	156	6A		630.64	629.26	-	120	603	85.7	100	28	-

## L 050 (9.525mm) Taper Bore

Part Code	Number of Teeth	Type	Mat.	Bush Number	Dp	De	Df	Dm	Di	F	S	R	Flange Code
TL18L050	18	8F	STEEL	1108	54.57	53.81	60	45	-	19	22	3	58
TL19L050	19	8F		1108	57.61	56.84	64	45	-	19	22	3	59
TL20L050	20	8F		1108	60.64	59.88	66.5	48	-	19	22	3	60
TL21L050	21	8F		1108	63.67	62.91	70	48	-	19	22	3	61
TL22L050	22	8F		1108	66.70	65.94	75	51	-	19	22	3	62
TL23L050	23	8F		1108	69.73	68.97	79	54	-	19	22	3	63
TL24L050	24	8F		1108	72.77	72.00	79	54	-	19	22	3	63
TL25L050	25	8F		1108	75.80	75.04	82.5	56	-	19	22	3	64
TL26L050	26	8F		1108	78.83	78.07	86	60	-	19	22	3	65
TL27L050	27	8F		1108	81.86	81.10	86	62	-	19	22	3	65
TL28L050	28	8F		1108	84.89	84.13	91	65	-	19	22	3	66
TL30L050	30	8F		1108	90.96	90.20	97	70	-	19	22	3	68
TL32L050	32	8F		1108	97.02	96.26	102	74	-	19	22	3	70
TL36L050	36	8F		1108	109.15	108.39	115	85	-	19	22	3	74
TL40L050	40	8F		1610	121.28	120.51	128	88	-	19	25	3	78
TL44L050	44	8WF		1610	133.40	132.64	142	88	110	19	25	3	81
TL48L050	48	8WF		1610	145.53	144.77	150	88	120	19	25	3	85
TL60L050	60	7W		1610	181.91	181.15	-	92	166	19	25	3	-
TL72L050	72	7A	CAST IRON	1610	218.30	217.53	-	92	202	19	25	3	-
TL84L050	84	7A		1610	254.68	253.90	-	92	236	19	25	3	-
TL96L050	96	7A		2012	291.06	290.30	-	106	270	19	32	7	-
TL120L050	120	7A		2012	363.83	363.07	-	106	343	19	32	7	-

## L 075 (9.525mm) Taper Bore

Part Code	Number of Teeth	Type		Bush Number	Dp	De	Df	Dm	Di	F	S	R	Flange Code
TL18L075	18	3F	STEEL	1108	54.57	53.81	60	-	-	25	25	-	58
TL19L075	19	3F		1108	57.61	56.84	64	-	-	25	25	-	59
TL20L075	20	3F		1108	60.64	59.88	66.5	-	-	25	25	-	60
TL21L075	21	3F		1108	63.67	62.91	70	-	-	25	25	-	61
TL22L075	22	3F		1108	66.70	65.94	75	-	-	25	25	-	62
TL23L075	23	3F		1108	69.73	68.97	79	-	-	25	25	-	63
TL24L075	24	3F		1108	72.77	72.00	79	-	-	25	25	-	63
TL25L075	25	3F		1108	75.80	75.04	82.5	-	-	25	25	-	64
TL26L075	26	3F		1108	78.83	78.07	86	-	-	25	25	-	65
TL27L075	27	3F		1108	81.86	81.10	86	-	-	25	25	-	65
TL28L075	28	3F		1108	84.89	84.13	91	-	-	25	25	-	66
TL30L075	30	3F		1108	90.96	90.20	97	-	-	25	25	-	68
TL32L075	32	3F		1108	97.02	96.26	102	-	-	25	25	-	70
TL36L075	36	3F		1610	109.15	108.39	115	-	-	25	25	-	74
TL40L075	40	3F		1610	121.28	120.51	128	-	-	25	25	-	78
TL44L075	44	3WF		1610	133.40	132.64	142	90	110	25	25	-	81
TL48L075	48	3WF		1610	145.53	144.77	150	92	120	25	25	-	85
TL60L075	60	3W		1610	181.91	181.15	-	92	166	25	25	-	-
TL72L075	72	3A	CAST IRON	1610	218.30	217.53	-	92	202	25	25	-	-
TL84L075	84	7A		2012	254.68	253.90	-	92	236	25	25	-	-
TL96L075	96	7A		2012	291.06	290.30	-	106	270	25	32	4	-
TL120L075	120	7A		2012	363.83	363.07	-	106	343	25	32	4	-

## L 100 (9.525mm) Taper Bore

Part Code	Number of Teeth	Type	Mat.	Bush Number	Dp	De	Df	Dm	Di	F	S	R	Flange Code
TL18L100	18	5F	STEEL	1108	54.57	53.81	60	-	38	31	22	9	58
TL19L100	19	5F		1108	57.61	56.84	64	-	38	31	22	9	59
TL20L100	20	5F		1108	60.64	59.88	66.5	-	45	31	22	9	60
TL21L100	21	5F	STEEL	1108	63.67	62.91	70	-	45	31	22	9	61
TL22L100	22	5F		1108	66.70	65.94	75	-	48	31	22	9	62
TL23L100	23	5F		1108	69.73	68.97	79	-	52	32	22	10	63
TL24L100	24	5F	STEEL	1108	72.77	72.00	79	-	52	32	22	10	63
TL25L100	25	5F		1108	75.80	75.04	82.5	-	54	32	22	10	64
TL26L100	26	5F		1108	78.83	78.07	86	-	60	32	22	10	65
TL27L100	27	5F	STEEL	1108	81.86	81.10	86	-	60	32	22	10	65
TL28L100	28	5F		1108	84.89	84.13	91	-	65	32	22	10	66
TL30L100	30	5F		1210	90.96	90.20	97	-	71	32	25	7	68
TL32L100	32	5F	STEEL	1210	97.02	96.26	102	-	75	32	25	7	70
TL36L100	36	5F		1610	109.15	108.39	115	-	86	32	25	7	74
TL40L100	40	5F		1610	121.28	120.51	128	-	96	32	25	7	78
TL44L100	44	5WF	STEEL	1610	133.40	132.64	142	90	110	32	25	7	81
TL48L100	48	5WF		1610	145.53	144.77	150	92	120	32	25	7	85
TL60L100	60	9W		1610	181.91	181.15	-	92	166	32	25	4	-
TL72L100	72	3A	IRON	2012	218.30	217.53	-	92	202	32	32	0	-
TL84L100	84	3A		2012	254.68	253.90	-	92	236	32	32	0	-
TL96L100	96	3A		2012	291.06	290.30	-	106	270	32	32	0	-
TL120L100	120	3A		2012	363.83	363.07	-	106	343	32	32	0	-

## H 100 (12.700mm) Taper Bore

Part Code	Number of Teeth	Type	Mat.	Bush Number	Dp	De	Df	Dm	Di	F	S	R	Flange Code
TL16H100	16	5F	STEEL	1108	64.68	63.31	70	-	45	31	22	9	61
TL18H100	18	5F		1210	72.77	71.39	79	-	52	31	25	6	63
TL19H100	19	5F		1210	76.81	75.44	82.5	-	56	31	25	6	64
TL20H100	20	5F	STEEL	1210	80.85	79.48	87	-	60	31	25	6	76
TL21H100	21	5F		1210	84.89	83.52	91	-	64	32	25	7	66
TL22H100	22	5F		1210	88.94	87.56	94	-	67	32	25	7	67
TL23H100	23	5F	STEEL	1610	92.98	91.61	97	-	70	32	25	7	68
TL24H100	24	5F		1610	97.02	95.65	102	-	74	32	25	7	70
TL25H100	25	5F		1610	101.06	99.69	106	-	77	32	25	7	71
TL26H100	26	5F	STEEL	1610	105.11	103.73	112	-	82	32	25	7	72
TL27H100	27	5F		1610	109.15	107.78	115	-	85	32	25	7	74
TL28H100	28	5F		1610	113.19	111.82	120	-	90	32	25	7	75
TL30H100	30	5F	STEEL	1610	121.28	111.90	128	-	98	32	25	7	78
TL32H100	32	5WF		1610	129.36	127.99	135	80	106	32	25	7	80
TL36H100	36	5WF		1610	145.53	144.16	150	92	121	32	25	7	85
TL40H100	40	5WF	STEEL	1610	161.70	160.33	168	92	138	32	25	7	90
TL44H100	44	3WF		2012	177.87	176.50	184	106	152	32	32	0	95
TL48H100	48	3WF		2012	194.04	192.67	200	106	169	32	32	0	100
TL60H100	60	9A	IRON	2012	242.55	241.18	-	92	223	34	32	1	-
TL72H100	72	9A		2012	291.06	289.69	-	92	270	34	32	1	-
TL84H100	84	9A		2012	339.57	338.20	-	92	318	34	32	1	-
TL96H100	96	7A	IRON	2517	388.08	386.71	-	106	366	34	45	6	-
TL120H100	120	7A	IRON	2517	485.10	483.73	-	106	462	34	45	6	-

## H 150 (12.700mm) Taper Bore

Part Code	Number of Teeth	Type	Mat.	Bush Number	Dp	De	Df	Dm	Di	F	S	R	Flange Code
TL18H150	18	5F	STEEL	1210	72.77	71.39	79	-	52	45	25	20	63
TL19H150	19	5F		1210	76.81	75.44	82.5	-	56	45	25	20	64
TL20H150	20	5F		1210	80.85	79.48	87	-	60	45	25	20	76
TL21H150	21	5F	STEEL	1210	84.89	83.52	91	-	64	45	25	20	66
TL22H150	22	5F		1210	88.94	87.56	94	-	67	45	25	20	67
TL23H150	23	5F		1610	92.98	91.61	97	-	70	45	25	20	68
TL24H150	24	5F	STEEL	1610	97.02	95.65	102	-	74	45	25	20	70
TL25H150	25	5F		1610	101.06	99.69	106	-	77	45	25	20	71
TL26H150	26	5F		1610	105.11	103.73	112	-	82	45	25	20	72
TL27H150	27	5F	STEEL	1610	109.15	107.78	115	-	85	45	25	20	74
TL28H150	28	5F		1610	113.19	111.82	120	-	90	45	25	20	75
TL30H150	30	5F		1610	121.28	111.90	128	-	98	45	25	20	78
TL32H150	32	5WF	STEEL	1610	129.36	127.99	135	80	106	45	25	20	80
TL36H150	36	5WF		1610	145.53	144.16	150	92	121	45	25	20	85
TL40H150	40	5WF		1610	161.70	160.33	168	92	138	45	25	20	90
TL44H150	44	5WF	IRON	2012	177.87	176.50	184	106	152	45	32	13	95
TL48H150	48	5WF		2012	194.04	192.67	200	106	169	45	32	13	100
TL60H150	60	9A		2012	242.55	241.18	-	92	223	46	32	7	-
TL72H150	72	9A	IRON	2012	291.06	289.69	-	92	270	46	32	7	-
TL84H150	84	9A		2012	339.57	338.20	-	92	318	46	32	7	-
TL96H150	96	9A		2517	388.08	386.71	-	106	366	46	45	1	-
TL120H150	120	9A	IRON	2517	485.10	483.73	-	106	462	46	45	1	-

## H 200 (12.700mm) Taper Bore

Part Code	Number of Teeth	Type	Mat.	Bush Number	Dp	De	Df	Dm	Di	F	S	R	Flange Code
TL18H200	18	5F	STEEL	1210	72.77	71.39	79	-	52	58	25	33	63
TL19H200	19	5F		1210	76.81	75.44	82.5	-	56	58	25	33	64
TL20H200	20	5F		1610	80.85	79.48	87	-	60	58	25	33	76
TL21H200	21	5F	STEEL	1610	84.89	83.52	91	-	64	58	25	33	66
TL22H200	22	5F		1610	88.94	87.56	94	-	67	58	25	33	67
TL23H200	23	5F		1610	92.98	91.61	97	-	70	58	25	33	68
TL24H200	24	5F	STEEL	1610	97.02	95.65	102	-	74	58	25	33	70
TL25H200	25	5F		1610	101.06	99.69	106	-	77	58	25	33	71
TL26H200	26	5F		1610	105.11	103.73	112	-	82	58	25	33	72
TL27H200	27	5F	STEEL	1610	109.15	107.78	115	-	85	58	25	33	74
TL28H200	28	5F		1610	113.19	111.82	120	-	90	58	25	33	75
TL30H200	30	5F		1610	121.28	111.90	128	-	98	58	25	33	78
TL32H200	32	5F	STEEL	2012	129.36	127.99	135	-	106	58	32	26	80
TL36H200	36	5WF		2012	145.53	144.16	150	102	121	58	32	26	85
TL40H200	40	5WF		2012	161.70	160.33	168	106	138	58	32	26	90
TL44H200	44	5WF	STEEL	2012	177.87	176.50	184	106	152	58	32	26	95
TL48H200	48	5WF		2517	194.04	192.67	200	119	169	58	45	13	100
TL60H200	60	9A		2517	242.55	241.18	-	119	223	60	45	8	-
TL72H200	72	9A	CAST IRON	2517	291.06	289.69	-	119	270	60	45	8	-
TL84H200	84	9A		2517	339.57	338.20	-	119	318	60	45	8	-
TL96H200	96	9A		2517	388.08	386.71	-	119	366	60	45	8	-
TL120H200	120	9A		2517	485.10	483.73	-	119	462	60	45	8	-

## H 300 (12.700mm) Taper Bore

Part Code	Number of Teeth	Type	Mat.	Bush Number	Dp	De	Df	Dm	Di	F	S	R	Flange Code
TL20H300	20	4F	STEEL	1615	80.85	79.48	87	-	60	84	38	23	76
TL21H300	21	4F		1615	84.89	83.52	91	-	64	84	38	23	66
TL22H300	22	4F		1615	88.94	87.56	94	-	67	84	38	23	67
TL23H300	23	4F	STEEL	1615	92.98	91.61	97	-	70	84	38	23	68
TL24H300	24	4F		1615	97.02	95.65	102	-	74	84	38	23	70
TL25H300	25	4F		2010	101.06	99.69	106	-	77	84	38	23	71
TL26H300	26	4F	STEEL	2010	105.11	103.73	112	-	82	84	38	23	72
TL27H300	27	4F		2010	109.15	107.78	115	-	85	84	32	26	74
TL28H300	28	4F		2517	113.19	111.82	120	-	90	84	32	26	75
TL30H300	30	4F	STEEL	2517	121.28	111.90	128	-	98	84	32	26	78
TL32H300	32	4F		2517	129.36	127.99	135	-	106	84	45	20	80
TL36H300	36	4WF		2517	145.53	144.16	150	-	121	84	45	20	85
TL40H300	40	4WF	STEEL	2517	161.70	160.33	168	-	138	84	45	20	90
TL44H300	44	4WF		2517	177.87	176.50	184	119	152	86	45	21	95
TL48H300	48	4WF		2517	194.04	192.67	200	119	169	86	45	21	100
TL60H300	60	9A	IRON	2517	242.55	241.18	-	119	223	86	45	21	-
TL72H300	72	9A		2517	291.06	289.69	-	119	270	86	45	21	-
TL84H300	84	9A		2517	339.57	338.20	-	119	318	86	45	21	-
TL96H300	96	9A	IRON	3030	388.08	386.71	-	150	366	86	76	5	-
TL120H300	120	9A		3030	485.10	483.73	-	150	462	86	76	5	-

## XH 200 (22.225mm) Taper Bore

Part Code	Number of Teeth	Type	Mat.	Bush Number	Dp	De	Df	Dm	Di	F	S	R	Flange Code
TL18XH200	18	5F	STEEL	2517	127.34	124.55	140	-	95	64	45	19	155
TL20XH200	20	5F		2517	141.49	138.69	155	-	110	64	45	19	157
TL22XH200	22	5F		2517	155.64	152.84	170	-	120	64	45	19	159
TL24XH200	24	5F	STEEL	2517	169.79	166.99	184	-	135	64	45	19	161
TL26XH200	26	5F		2517	183.94	181.14	198	-	150	64	45	19	163
TL28XH200	28	4WF		3020	198.08	195.29	212	120	165	64	45	10	165
TL30XH200	30	4WF	STEEL	3020	212.23	209.44	227	120	180	64	45	10	167
TL32XH200	32	4WF		3020	226.38	223.59	240	120	195	64	45	10	169
TL40XH200	40	4WF		3020	282.98	280.18	297	160	245	64	51	7	177
TL48XH200	48	9W	IRON	3020	339.57	336.78	-	160	300	64	51	7	-
TL60XH200	60	7A		3535	424.47	421.67	-	190	385	64	89	13	-
TL72XH200	72	7A		3535	509.36	506.56	-	190	470	64	89	13	-
TL84XH200	84	7A	IRON	4040	594.25	591.46	-	190	555	64	89	13	-
TL96XH200	96	7A		4040	679.15	676.35	-	190	640	64	89	13	-
TL96XH200	120	7A		4040	848.93	846.14	-	190	810	64	89	13	-

## XH 300 (22.225mm) Taper Bore

Part Code	Number of Teeth	Type	Mat.	Bush Number	Dp	De	Df	Dm	Di	F	S	R	Flange Code
TL18XH300	18	5F	STEEL	2517	127.34	124.55	140	-	95	64	45	19	155
TL20XH300	20	5F		2517	141.49	138.69	155	-	110	64	45	19	157
TL22XH300	22	5F		2517	155.64	152.84	170	-	120	64	45	19	159
TL24XH300	24	5F	STEEL	2517	169.79	166.99	184	-	135	64	45	19	161
TL26XH300	26	5F		2517	183.94	181.14	198	-	150	64	45	19	163
TL28XH300	28	5F		2517	198.08	195.29	212	120	165	64	45	10	165
TL30XH300	30	5F	STEEL	2517	212.23	209.44	227	120	180	64	45	10	167
TL32XH300	32	5F		2517	226.38	223.59	240	120	195	64	45	10	169
TL40XH300	40	4WF		3020	282.98	280.18	297	160	245	64	51	7	177
TL48XH300	48	9A	IRON	3020	339.57	336.78	-	160	300	64	51	7	-
TL60XH300	60	9A		3535	424.47	421.67	-	190	385	64	89	13	-
TL72XH300	72	9A		3535	509.36	506.56	-	190	470	64	89	13	-
TL84XH300	84	7A	IRON	3535	594.25	591.46	-	190	555	64	89	13	-
TL96XH300	96	7A		3535	679.15	676.35	-	190	640	64	89	13	-
TL120XH300	120	7A		3535	848.93	846.14	-	190	810	64	89	13	-

## XH 400 (22.225mm) Taper Bore

Part Code	Number of Teeth	Type	Mat.	Bush Number	Dp	De	Df	Dm	Di	F	S	R	Flange Code
TL18XH400	18	5F	STEEL	2517	127.34	124.55	140	-	95	64	45	19	155
TL20XH400	20	5F		2517	141.49	138.69	155	-	110	64	45	19	157
TL22XH400	22	5F		2517	155.64	152.84	170	-	120	64	45	19	159
TL24XH400	24	5F	STEEL	3020	169.79	166.99	184	-	135	64	45	19	161
TL26XH400	26	5F		3020	183.94	181.14	198	-	150	64	45	19	163
TL28XH400	28	5F		3020	198.08	195.29	212	120	165	64	45	10	165
TL30XH400	30	5F	STEEL	3020	212.23	209.44	227	120	180	64	45	10	167
TL32XH400	32	5F		3020	226.38	223.59	240	120	195	64	45	10	169
TL40XH400	40	4WF		3535	282.98	280.18	297	160	245	64	51	7	-
TL48XH400	48	9W	IRON	3535	339.57	336.78	-	160	300	64	51	7	-
TL60XH400	60	9A		4040	424.47	421.67	-	190	385	64	89	13	-
TL72XH400	72	9A		4040	509.36	506.56	-	190	470	64	89	13	-
TL84XH400	84	7A	IRON	4040	594.25	591.46	-	190	555	64	89	13	-
TL96XH400	96	7A		4040	679.15	676.35	-	190	640	64	89	13	-
	120	7A		4040	848.93	846.14	-	190	810	64	89	13	-

## HTD 3M-06

Part Code	Number of Teeth	Type	Mat.	Dp	De	Df	Dm	Di	F	L	d	Flange Code
10-3M-06	10	1F	AL	9.55	8.79	13	13	-	7.2	14.5	-	501
12-3M-06	12	1F		11.46	10.70	15	15	-	7.2	14.5	-	502
14-3M-06	14	1F		13.37	12.61	16	16	-	7.2	14.5	-	503
15-3M-06	15	1F		14.32	13.56	17.5	17.5	-	7.2	14.5	-	516
16-3M-06	16	6F		15.28	14.52	17.5	10	-	9.8	17.5	-	504
18-3M-06	18	6F		17.19	16.43	20	11	-	9.8	17.5	-	505
20-3M-06	20	6F		19.10	18.34	23	13	-	9.8	17.5	-	517
21-3M-06	21	6F		20.05	19.29	25	13	-	9.8	17.5	-	518
22-3M-06	22	6F		21.01	20.25	25	13	-	9.8	17.5	-	518
24-3M-06	24	6F		22.92	22.16	25	13	-	9.8	17.5	-	518
26-3M-06	26	6F		24.83	24.07	28	16	-	9.8	17.5	-	508
28-3M-06	28	6F		26.74	25.98	32	18	-	9.8	17.5	-	509
30-3M-06	30	6F		28.65	27.89	32	20	-	9.8	17.5	-	509
32-3M-06	32	6F		30.56	29.80	36	22	-	9.8	17.5	-	510
36-3M-06	36	6F		34.38	33.62	39	26	-	10.3	18	-	519
40-3M-06	40	6F		38.20	37.44	42	28	-	10.3	18	-	513
44-3M-06	44	6F		42.02	41.26	48	33	-	10.3	18	-	520
48-3M-06	48	6		45.84	45.08	-	33	-	10.3	18	8	-
60-3M-06	60	6		57.30	56.54	-	33	-	10.3	18	8	-
72-3M-06	72	6		68.75	67.99	-	33	-	10.3	18	8	-

## HTD 3M-09

Part Code	Number of Teeth	Type	Mat.	Dp	De	Df	Dm	Di	F	L	d	Flange Code
10-3M-09	10	1F	AL	9.55	8.79	13	13	-	10.2	17.5	-	501
12-3M-09	12	1F		11.46	10.70	15	15	-	10.2	17.5	-	502
14-3M-09	14	1F		13.37	12.61	16	16	-	10.2	17.5	-	503
15-3M-09	15	1F		14.32	13.56	17.5	17.5	-	10.2	17.5	-	516
16-3M-09	16	6F		15.28	14.52	17.5	10	-	12.8	20.6	-	504
18-3M-09	18	6F		17.19	16.43	20	11	-	12.8	20.6	-	505
20-3M-09	20	6F		19.10	18.34	23	13	-	12.8	20.6	-	517
21-3M-09	21	6F		20.05	19.29	25	13	-	12.8	20.6	-	518
22-3M-09	22	6F		21.01	20.25	25	13	-	12.8	20.6	-	518
24-3M-09	24	6F		22.92	22.16	25	13	-	12.8	20.6	-	518
26-3M-09	26	6F		24.83	24.07	28	16	-	12.8	20.6	-	508
28-3M-09	28	6F		26.74	25.98	32	18	-	12.8	20.6	-	509
30-3M-09	30	6F		28.65	27.89	32	20	-	12.8	20.6	-	509
32-3M-09	32	6F		30.56	29.80	36	22	-	12.8	20.6	-	510
36-3M-09	36	6F		34.38	33.62	39	26	-	13.4	22.2	-	519
40-3M-09	40	6F		38.20	37.44	42	28	-	13.4	22.2	-	513
44-3M-09	44	6F		42.02	41.26	48	33	-	13.4	22.2	-	520
48-3M-09	48	6		45.84	45.08	-	33	-	13.4	22.2	8	-
60-3M-09	60	6		57.30	56.54	-	33	-	13.4	22.2	8	-
72-3M-09	72	6		68.75	67.99	-	33	-	13.4	22.2	8	-

## HTD 3M-15

Part Code	Number of Teeth	Type	Mat.	Dp	De	Df	Dm	Di	F	L	d	Flange Code
10-3M-15	10	1F	AL	9.55	8.79	13	13	-	17	26	-	501
12-3M-15	12	1F		11.46	10.70	15	15	-	17	26	-	502
14-3M-15	14	1F		13.37	12.61	16	16	-	17	26	-	503
15-3M-15	15	1F		14.32	13.56	17.5	17.5	-	17	26	-	516
16-3M-15	16	6F		15.28	14.52	17.5	10	-	19.5	26	-	504
18-3M-15	18	6F		17.19	16.43	20	11	-	19.5	26	-	505
20-3M-15	20	6F		19.10	18.34	23	13	-	19.5	26	-	517
21-3M-15	21	6F		20.05	19.29	25	13	-	19.5	26	-	518
22-3M-15	22	6F		21.01	20.25	25	13	-	19.5	26	-	518
24-3M-15	24	6F		22.92	22.16	25	13	-	19.5	26	-	518
26-3M-15	26	6F		24.83	24.07	28	16	-	19.5	26	-	508
28-3M-15	28	6F		26.74	25.98	32	18	-	19.5	26	-	509
30-3M-15	30	6F		28.65	27.89	32	20	-	19.5	26	-	509
32-3M-15	32	6F		30.56	29.80	36	22	-	19.5	26	-	510
36-3M-15	36	6F		34.38	33.62	39	26	-	20	30	-	519
40-3M-15	40	6F		38.20	37.44	42	28	-	20	30	-	513
44-3M-15	44	6F		42.02	41.26	48	33	-	20	30	-	520
48-3M-15	48	6		45.84	45.08	-	33	-	20	30	8	-
60-3M-15	60	6	57.30	56.54	-	33	-	20	30	8	-	
72-3M-15	72	6	68.75	67.99	-	33	-	20	30	8	-	

## HTD 5M-09

Part Code	Number of Teeth	Type	Mat.	Dp	De	Df	Dm	Di	F	L	d	Flange Code
12-5M-09	12	6F	STEEL	19.10	17.96	23	12	-	14.5	20	-	14
14-5M-09	14	6F		22.28	21.14	25	13	-	14.5	20	-	2
15-5M-09	15	6F		23.87	22.73	28	16	-	14.5	20	-	4
16-5M-09	16	6F		25.46	24.32	28	16.5	-	14.5	20	-	4
18-5M-09	18	6F		28.65	27.51	32	20	-	14.5	20	-	6
20-5M-09	20	6F		31.83	30.69	36	23	-	14.5	22.5	-	8
21-5M-09	21	6F		33.42	32.28	38	24	-	14.5	22.5	-	9
22-5M-09	22	6F		35.01	33.87	39	25.5	-	14.5	22.5	-	15
24-5M-09	24	6F		38.20	37.06	42	27	-	14.5	22.5	-	13
26-5M-09	26	6F		41.38	40.24	44	30	-	14.5	22.5	-	12
28-5M-09	28	6F		44.56	43.42	48	30.5	-	14.5	22.5	-	11
30-5M-09	30	6F		47.75	46.60	51	35	-	14.5	22.5	-	16
32-5M-09	32	6F		50.93	49.79	54	38	-	14.5	22.5	8	18
36-5M-09	36	6F		57.30	56.16	60	38	-	14.5	22.5	8	21
40-5M-09	40	6F	63.66	62.52	71	38	-	14.5	22.5	8	25	
44-5M-09	44	6W	AL	70.03	68.89	-	38	54	14.5	22.5	8	-
48-5M-09	48	6W		76.39	75.25	-	45	61	14.5	22.5	8	-
60-5M-09	60	6W		95.49	94.35	-	45	80	14.5	22.5	8	-
72-5M-09	72	6W		114.59	113.45	-	45	100	14.5	22.5	8	-

## HTD 5M-15

Part Code	Number of Teeth	Type	Mat.	Dp	De	Df	Dm	Di	F	L	d	Flange Code
12-5M-15	12	6F	STEEL	19.10	17.96	23	12	-	20.5	26	-	14
14-5M-15	14	6F		22.28	21.14	25	13	-	20.5	26	-	2
15-5M-15	15	6F		23.87	22.73	28	16	-	20.5	26	-	4
16-5M-15	16	6F		25.46	24.32	28	16.5	-	20.5	26	-	4
18-5M-15	18	6F		28.65	27.51	32	20	-	20.5	26	-	6
20-5M-15	20	6F		31.83	30.69	36	23	-	20.5	26	-	8
21-5M-15	21	6F		33.42	32.28	38	24	-	20.5	26	-	9
22-5M-15	22	6F		35.01	33.87	39	25.5	-	20.5	26	-	15
24-5M-15	24	6F		38.20	37.06	42	27	-	20.5	28	-	13
26-5M-15	26	6F		41.38	40.24	44	30	-	20.5	28	-	12
28-5M-15	28	6F		44.56	43.42	48	30.5	-	20.5	28	-	11
30-5M-15	30	6F		47.75	46.60	51	35	-	20.5	28	-	16
32-5M-15	32	6F		50.93	49.79	54	38	-	20.5	28	8	18
36-5M-15	36	6F		57.30	56.16	60	38	-	20.5	28	8	21
40-5M-15	40	6F		63.66	62.52	71	38	-	20.5	28	8	25
44-5M-15	44	6W	AL	70.03	68.89	-	38	54	20.5	30	8	-
48-5M-15	48	6W		76.39	75.25	-	45	61	20.5	30	8	-
60-5M-15	60	6W		95.49	94.35	-	45	80	20.5	30	8	-
72-5M-15	72	6W		114.59	113.45	-	45	100	20.5	30	8	-

## HTD 5M-25

Part Code	Number of Teeth	Type	Mat.	Dp	De	Df	Dm	Di	F	L	d	Flange Code
12-5M-25	12	6F	STEEL	19.10	17.96	23	12	-	30.5	36	-	14
14-5M-25	14	6F		22.28	21.14	25	13	-	30.5	36	-	2
15-5M-25	15	6F		23.87	22.73	28	16	-	30.5	36	-	4
16-5M-25	16	6F		25.46	24.32	28	16.5	-	30.5	36	-	4
18-5M-25	18	6F		28.65	27.51	32	20	-	30.5	36	-	6
20-5M-25	20	6F		31.83	30.69	36	23	-	30.5	36.5	-	8
21-5M-25	21	6F		33.42	32.28	38	24	-	30.5	38.5	-	9
22-5M-25	22	6F		35.01	33.87	39	25.5	-	30.5	38.5	-	15
24-5M-25	24	6F		38.20	37.06	42	27	-	30.5	38.5	-	13
26-5M-25	26	6F		41.38	40.24	44	30	-	30.5	38.5	-	12
28-5M-25	28	6F		44.56	43.42	48	30.5	-	30.5	38.5	-	11
30-5M-25	30	6F		47.75	46.60	51	35	-	30.5	38.5	-	16
32-5M-25	32	6F		50.93	49.79	54	38	-	30.5	38.5	8	18
36-5M-25	36	6F		57.30	56.16	60	38	-	30.5	38.5	8	21
40-5M-25	40	6F		63.66	62.52	71	38	-	30.5	38.5	8	25
44-5M-25	44	6W	AL	70.03	68.89	-	38	54	30.5	40.5	8	-
48-5M-25	48	6W		76.39	75.25	-	45	61	30.5	40.5	8	-
60-5M-25	60	6W		95.49	94.35	-	45	80	30.5	40.5	8	-
72-5M-25	72	6W		114.59	113.45	-	45	100	30.5	40.5	8	-

## HTD 8M-20

Part Code	Number of Teeth	Type	Mat.	Dp	De	Df	Dm	Di	F	L	d	Flange Code
22-8M-20	22	6F	STEEL	56.02	54.65	60	43	-	28	38	12	53
24-8M-20	24	6F		61.12	59.75	66	45	-	28	38	12	69
26-8M-20	26	6F		66.21	64.84	70	48	-	28	38	12	61
28-8M-20	28	6F		71.30	70.08	75	50	-	28	38	15	79
30-8M-20	30	6F		76.39	75.13	83	55	-	28	38	15	73
32-8M-20	32	6F		81.49	80.16	87	60	-	28	38	15	76
34-8M-20	34	6F		86.58	85.22	91	70	-	28	38	15	66
36-8M-20	36	6F		91.67	90.30	97	75	-	28	38	15	68
38-8M-20	38	6F		96.77	95.39	102	75	-	28	38	15	70
40-8M-20	40	6F		101.86	100.49	106	75	-	28	38	15	77
44-8M-20	44	6F		112.05	110.67	120	75	-	28	38	15	75
48-8M-20	48	6F		122.23	120.86	128	75	-	28	38	15	78
56-8M-20	56	6WF		142.60	141.23	150	80	116	28	38	15	85
64-8M-20	64	6WF		162.97	161.60	168	80	137	28	38	15	90
72-8M-20	72	6WF	183.35	181.97	192	80	158	28	38	15	97	
80-8M-20	80	6W	IRON	203.72	202.35	-	90	180	28	38	15	-
90-8M-20	90	6A		229.18	227.81	-	90	204	28	38	15	-
112-8M-20	112	6A		285.21	283.83	-	90	254	28	38	18	-
144-8M-20	144	6A	IRON	366.69	365.32	-	90	336	28	38	20	-
168-8M-20	168	6A		427.18	426.44	-	100	400	28	38	20	-
192-8M-20	192	6A		488.92	487.55	-	100	460	28	38	20	-

## HTD 8M-30

Part Code	Number of Teeth	Type	Mat.	Dp	De	Df	Dm	Di	F	L	d	Flange Code
22-8M-30	22	6F	STEEL	56.02	56.45	60	43	-	38	48	12	53
24-8M-30	24	6F		61.12	59.75	66	45	-	38	48	12	69
26-8M-30	26	6F		66.21	64.84	70	48	-	38	48	12	61
28-8M-30	28	6F		71.30	70.08	75	50	-	38	48	15	79
30-8M-30	30	6F		76.39	75.13	83	55	-	38	48	15	73
32-8M-30	32	6F		81.49	80.16	87	60	-	38	48	15	76
34-8M-30	34	6F		86.58	85.22	91	70	-	38	48	15	66
36-8M-30	36	6F		91.67	90.30	97	75	-	38	48	15	68
38-8M-30	38	6F		96.77	95.39	102	75	-	38	48	15	70
40-8M-30	40	6F		101.86	100.49	106	75	-	38	48	15	77
44-8M-30	44	6F		112.05	110.67	120	75	-	38	48	15	75
48-8M-30	48	6F		122.23	120.86	128	75	-	38	48	15	78
56-8M-30	56	6WF		142.60	141.23	150	80	116	38	48	15	85
64-8M-30	64	6WF		162.97	161.60	168	80	137	38	48	15	90
72-8M-30	72	6WF	183.35	181.97	192	80	158	38	48	15	97	
80-8M-30	80	6W	IRON	203.72	202.35	-	90	180	38	48	15	-
90-8M-30	90	6A		229.18	227.81	-	90	204	38	48	15	-
112-8M-30	112	6A		285.21	283.83	-	90	254	38	48	18	-
144-8M-30	144	6A	IRON	366.69	365.32	-	90	336	38	48	20	-
168-8M-30	168	6A		427.81	426.44	-	100	400	38	48	20	-
192-8M-30	192	6A		488.92	487.55	-	100	460	38	48	20	-

## HTD 8M-50

Part Code	Number of Teeth	Type	Mat.	Dp	De	Df	Dm	Di	F	L	d	Flange Code
22-8M-50	22	6F	STEEL	56.02	54.65	60	43	-	60	70	12	53
24-8M-50	24	6F		61.12	59.75	66	45	-	60	70	12	69
26-8M-50	26	6F		66.21	64.84	70	48	-	60	70	15	61
28-8M-50	28	6F		71.30	70.08	75	50	-	60	70	15	79
30-8M-50	30	6F		76.39	75.13	83	55	-	60	70	15	73
32-8M-50	32	6F		81.49	80.16	87	60	-	60	70	15	76
34-8M-50	34	6F		86.58	85.22	91	70	-	60	70	15	66
36-8M-50	36	6F		91.67	90.30	97	75	-	60	70	15	68
38-8M-50	38	6F		96.77	95.39	102	75	-	60	70	15	70
40-8M-50	40	6F		101.86	100.49	106	75	-	60	70	18	77
44-8M-50	44	6F		112.05	110.67	120	75	-	60	70	18	75
48-8M-50	48	6F		122.23	120.86	128	75	-	60	70	18	78
56-8M-50	56	6WF		142.60	141.23	150	80	116	60	70	18	85
64-8M-50	64	6WF		162.97	161.60	168	80	137	60	70	18	90
72-8M-50	72	6WF		183.35	181.97	192	80	158	60	70	18	97
80-8M-50	80	6W		IRON	203.72	202.35	-	90	180	60	70	18
90-8M-50	90	6A	229.18		227.81	-	90	204	60	70	18	-
112-8M-50	112	6A	285.21		283.83	-	90	254	60	70	18	-
144-8M-50	144	6A	IRON	366.69	365.32	-	90	336	60	70	20	-
168-8M-50	168	6A		427.18	426.44	-	100	400	60	70	20	-
192-8M-50	192	6A		488.92	487.55	-	100	460	60	70	20	-

## HTD 8M-85

Part Code	Number of Teeth	Type	Mat.	Dp	De	Df	Dm	Di	F	L	d	Flange Code
22-8M-85	22	6F	STEEL	56.02	56.45	60	43	-	95	105	12	53
24-8M-85	24	6F		61.12	59.75	66	45	-	95	105	12	69
26-8M-85	26	6F		66.21	64.84	70	48	-	95	105	12	61
28-8M-85	28	6F		71.30	70.08	75	50	-	95	105	15	79
30-8M-85	30	6F		76.39	75.13	83	55	-	95	105	15	73
32-8M-85	32	6F		81.49	80.16	87	60	-	95	105	15	76
34-8M-85	34	6F		86.58	85.22	91	66	-	95	105	15	66
36-8M-85	36	6F		91.67	90.30	97	70	-	95	105	15	68
38-8M-85	38	6F		96.77	95.39	102	75	-	95	105	15	70
40-8M-85	40	6F		101.86	100.49	106	75	-	95	105	18	77
44-8M-85	44	6F		112.05	110.67	120	75	-	95	105	18	75
48-8M-85	48	6F		122.23	120.86	128	80	-	95	105	18	78
56-8M-85	56	6WF		142.60	141.23	150	90	116	95	105	18	85
64-8M-85	64	6WF		162.97	161.60	168	100	137	95	105	20	90
72-8M-85	72	6WF		183.35	181.97	192	100	158	95	105	20	97
80-8M-85	80	6W		IRON	203.72	202.35	-	110	180	95	105	20
90-8M-85	90	6A	229.18		227.81	-	110	204	95	105	20	-
112-8M-85	112	6A	285.21		283.83	-	110	254	95	105	24	-
144-8M-85	144	6A	IRON	366.69	365.32	-	110	336	95	105	24	-
168-8M-85	168	6A		427.18	426.44	-	120	400	95	105	24	-
192-8M-85	192			488.92	487.55	-	130	460	95	105	24	-

## HTD 14M-40

Part Code	Number of Teeth	Type	Mat.	Dp	De	Df	Dm	Di	F	L	d	Flange Code
28-14M-40	28	6F	STEEL	124.78	122.12	128	100	-	54	69	24	153
29-14M-40	29	6F		129.23	126.57	138	100	-	54	69	24	154
30-14M-40	30	6F		133.69	130.99	138	100	-	54	69	24	154
32-14M-40	32	6F		142.60	139.88	154	100	-	54	69	24	160
34-14M-40	34	6F		151.52	148.79	160	100	-	54	69	24	166
36-14M-40	36	6F		160.43	157.68	168	100	-	54	69	24	168
38-14M-40	38	6F		169.34	166.60	183	120	-	54	69	24	172
40-14M-40	40	6F		178.25	175.49	188	120	-	54	69	24	162
44-14M-40	44	6F		196.08	193.28	211	120	-	54	69	24	175
48-14M-40	48	6WF		CAST IRON	213.90	211.11	226	135	170	54	69	24
56-14M-40	56	6WF	249.55		246.76	256	135	207	54	69	28	182
64-14M-40	64	6WF	285.21		282.41	296	135	240	54	69	28	184
72-14M-40	72	6A	320.86		318.06	-	135	280	54	69	28	-
80-14M-40	80	6A	356.51		353.71	-	135	314	54	69	28	-
90-14M-40	90	6A	401.07		398.28	-	135	358	54	69	28	-
112-14M-40	112	6A	499.11		496.32	-	135	456	54	69	28	-
144-14M-40	144	6A	641.71		638.92	-	135	600	54	69	28	-
168-14M-40	168	6A	748.66		745.87	-	135	706	54	69	28	-
192-14M-40	192	6A	855.62		852.82	-	135	813	54	69	28	-
216-14M-40	216	6A	962.57	962.57	-	150	920	54	69	28	-	

## HTD 14M-55

Part Code	Number of Teeth	Type	Mat.	Dp	De	Df	Dm	Di	F	L	d	Flange Code
28-14M-55	28	6F	STEEL	124.78	122.12	128	100	-	70	89	24	153
29-14M-55	29	6F		129.23	126.57	138	100	-	70	89	24	154
30-14M-55	30	6F		133.69	130.99	138	100	-	70	89	24	154
32-14M-55	32	6F		142.60	139.88	154	100	-	70	89	24	160
34-14M-55	34	6F		151.52	148.79	160	100	-	70	89	24	166
36-14M-55	36	6F		160.43	157.68	168	100	-	70	89	24	168
38-14M-55	38	6F		169.34	166.60	183	120	-	70	89	24	172
40-14M-55	40	6F		178.25	175.49	188	120	-	70	89	24	162
44-14M-55	44	6F		196.08	193.28	211	120	-	70	89	24	175
48-14M-55	48	6WF		CAST IRON	213.90	211.11	226	135	170	70	89	24
56-14M-55	56	6WF	249.55		246.76	256	135	207	70	89	28	182
64-14M-55	64	6WF	285.21		282.41	296	135	240	70	89	28	184
72-14M-55	72	6A	320.86		318.06	-	135	280	70	89	28	-
80-14M-55	80	6A	356.51		353.71	-	135	314	70	89	28	-
90-14M-55	90	6A	401.07		398.28	-	135	358	70	89	28	-
112-14M-55	112	6A	499.11		496.32	-	135	456	70	89	28	-
144-14M-55	144	6A	641.71		638.92	-	135	600	70	89	28	-
168-14M-55	168	6A	748.66		745.87	-	135	706	70	89	28	-
192-14M-55	192	6A	855.62		852.82	-	135	813	70	89	28	-
216-14M-55	216	6A	962.57	962.57	-	150	920	70	89	28	-	

## HTD 14M-85

Part Code	Number of Teeth	Type	Mat.	Dp	De	Df	Dm	Di	F	L	d	Flange Code
28-14M-85	28	6F	STEEL	124.78	122.12	128	100	-	102	117	24	153
29-14M-85	29	6F		129.23	126.57	138	100	-	102	117	24	154
30-14M-85	30	6F		133.69	130.99	138	100	-	102	117	24	154
32-14M-85	32	6F		142.60	139.88	154	100	-	102	117	24	160
34-14M-85	34	6F		151.52	148.79	160	100	-	102	117	24	166
36-14M-85	36	6F		160.43	157.68	168	100	-	102	117	32	168
38-14M-85	38	6F		169.34	166.60	183	120	-	102	117	32	172
40-14M-85	40	6F		178.25	175.49	188	135	-	102	117	32	162
44-14M-85	44	6F		196.08	193.28	211	135	-	102	117	32	175
48-14M-85	48	6F		213.90	211.11	226	150	-	102	117	32	180
56-14M-85	56	10WF	CAST IRON	249.55	246.76	256	150	207	102	117	32	182
64-14M-85	64	10WF		285.21	282.41	296	150	240	102	102	32	184
72-14M-85	72	10A		320.86	318.06	-	150	278	102	102	32	-
80-14M-85	80	10A		356.51	353.71	-	150	314	102	102	32	-
90-14M-85	90	10A		401.07	398.28	-	150	358	102	102	32	-
112-14M-85	112	10A		499.11	496.32	-	150	456	102	102	32	-
144-14M-85	144	10A		641.71	638.92	-	150	600	102	102	32	-
168-14M-85	168	10A		748.66	745.87	-	150	706	102	102	32	-
192-14M-85	192	10A		855.62	852.82	-	165	813	102	102	32	-
216-14M-85	216	10A		962.57	962.57	-	160	920	102	102	32	-

## HTD 14M-115

Part Code	Number of Teeth	Type	Mat.	Dp	De	Df	Dm	Di	F	L	d	Flange Code
28-14M-115	28	6F	STEEL	124.78	122.12	128	100	-	133	148	32	153
29-14M-115	29	6F		129.23	126.57	138	100	-	133	148	32	154
30-14M-115	30	6F		133.69	130.99	138	100	-	133	148	32	154
32-14M-115	32	6F		142.60	139.88	154	100	-	133	148	32	160
34-14M-115	34	6F		151.52	148.79	160	100	-	133	148	32	166
36-14M-115	36	6F		160.43	157.68	168	100	-	133	148	32	168
38-14M-115	38	6F		169.34	166.60	183	120	-	133	148	32	172
40-14M-115	40	6F		178.25	175.49	188	135	-	133	148	32	162
44-14M-115	44	6F		196.08	193.28	211	140	-	133	148	32	175
48-14M-115	48	6F		213.90	211.11	226	150	-	133	148	32	180
56-14M-115	56	6F	249.55	246.76	256	150	-	133	148	32	182	
64-14M-115	64		CAST IRON	285.21	282.41	296	150	240	133	133	32	184
72-14M-115	72	10A		320.86	318.06	-	150	278	133	133	32	-
80-14M-115	80	10A		356.51	353.71	-	150	314	133	133	32	-
90-14M-115	90	10A		401.07	398.28	-	150	358	133	133	32	-
112-14M-115	112	10A		499.11	496.32	-	150	456	133	133	32	-
144-14M-115	144	10A		641.71	638.92	-	165	600	133	133	32	-
168-14M-115	168	10A		748.66	745.87	-	165	706	133	133	32	-
192-14M-115	192	10A		855.62	852.82	-	165	813	133	133	32	-
216-14M-115	216	10A		962.57	962.57	-	165	920	133	133	32	-

## HTD 14M-170

Part Code	Number of Teeth	Type	Mat.	Dp	De	Df	Dm	Di	F	L	d	Flange Code
28-14M-170	28	6F	STEEL	124.78	122.12	128	100	-	133	148	32	153
29-14M-170	29	6F		129.23	126.57	138	100	-	133	148	32	154
30-14M-170	30	6F		133.69	130.99	138	100	-	133	148	32	154
32-14M-170	32	6F		142.60	139.88	154	100	-	133	148	32	160
34-14M-170	34	6F		151.52	148.79	160	100	-	133	148	32	166
36-14M-170	36	6F		160.43	157.68	168	100	-	133	148	32	168
38-14M-170	38	6F		169.34	166.60	183	120	-	133	148	32	172
40-14M-170	40	6F		178.25	175.49	188	135	-	133	148	32	162
44-14M-170	44	6F		196.08	193.28	211	140	-	133	148	32	175
48-14M-170	48	6F		213.90	211.11	226	150	-	133	148	32	180
56-14M-170	56	6F		249.55	246.76	256	150	-	133	148	32	182
64-14M-170	64	10WF		285.21	282.41	296	150	240	133	133	32	184
72-14M-170	72	10A		CAST IRON	320.86	318.06	-	150	278	133	133	32
80-14M-170	80	10A	356.51		353.71	-	150	314	133	133	32	-
90-14M-170	90	10A	401.07		398.28	-	150	358	133	133	32	-
112-14M-170	112	10A	499.11		496.32	-	150	456	133	133	32	-
144-14M-170	144	10A	641.71		638.92	-	165	600	133	133	32	-
168-14M-170	168	10A	748.66		745.87	-	165	706	133	133	32	-
192-14M-170	192	10A	855.62		852.82	-	165	813	133	133	32	-
216-14M-170	216	10A	962.57		962.57	-	165	920	133	133	32	-

## HTD Taper Bore 5M-15

Part Code	Teeth Number	Type	Material	Bush Number	Dp	De	Df	Dm	Di	F	S	R	Flange Number
TL34-5M-15	34	3F	STEEL	1008	54,11	52,97	57			22	22		20
TL36-5M-15	36	3F	STEEL	1108	57,3	56,15	60			22	22		21
TL38-5M-15	38	3F	STEEL	1108	60,48	59,34	66,5			22	22		24
TL40-5M-15	40	3F	STEEL	1108	63,66	62,52	71			22	22		25
TL44-5M-15	44	3F	STEEL	1108	70,03	68,89	75			22	22		27
TL48-5M-15	48	8F	STEEL	1210	76,39	75,25	83	59		22	25	3	29
TL56-5M-15	56	8F	STEEL	1210	89,13	87,99	93	70		22	25	3	33
TL64-5M-15	64	8F	STEEL	1210	101,86	100,72	106	80		22	25	3	38
TL72-5M-15	72	8	STEEL	1610	114,59	113,45		92		22	25	3	
TL80-SM-15	80	8	STEEL	1610	127,32	126,18		92		22	25	3	
TL90-5M-15	90	8	STEEL	1610	143,24	142,10		92		22	25	3	
TL112-5M-15	112	8	STEEL	2012	178,25	177,11		110		20	32	12	
TL136-5M-15	136	7A	STEEL	2012	216,45	215,31		110	199	20	32	6	

## HTD Taper Bore 8M-20

Part Code	Teeth Number	Type	Material	Bush Number	Dp	De	Df	Dm	Di	F	S	R	Flange Number
TL22-8M-20	22	5F	STEEL	1008	56,02	54,65	60		37	28	22	6	53
TL24-8M-20	24	5F	STEEL	1108	61,12	59,75	66		44	28	22	6	69
TL26-8M-20	26	5F	STEEL	1108	66,21	64,84	70		45	28	22	6	61
TL28-8M-20	28	5F	STEEL	1108	71,3	69,93	75		50	28	22	6	79
TL30-8M-20	30	5F	STEEL	1108	76,39	75,02	83		58	28	22	6	73
TL32-8M-20	32	5F	STEEL	1610	81,49	80,16	87		63	28	25	3	76
TL34-8M-20	34	5F	STEEL	1610	86,58	85,22	91		64	28	25	3	66
TL36-8M-20	36	SF	STEEL	1610	91,67	90,3	97		68	28	25	3	68
TL38-8M-20	38	5F	STEEL	1610	96,77	95,39	102		72	28	25	3	70
TL40-8M-20	40	5F	STEEL	1610	101,86	100,49	106		76	28	25	3	77
TL44-8M-20	44	8F	STEEL	2012	112,05	110,67	120	93		28	32	4	75
TL48-8M-20	48	8F	STEEL	2012	122,23	120,86	128	96		28	32	4	78
TL56-8M-20	56	8F	STEEL	2012	142,60	141,23	150	110		28	32	4	85
TL64-8M-20	64	8WF	STEEL	2012	162,97	161,60	168	110	137	28	32	4	90
TL72-8M-20	72	8WF	STEEL	2012	183,35	181,97	192	110	158	28	32	4	97
TL80-8M-20	80	8W	CAST IRON	2012	203,72	202,35		110	180	28	32	4	
TL90-8M-20	90	8A	CAST IRON	2012	229,18	227,81		110	204	28	32	4	
TL144-8M-20	144	8A	CAST IRON	2517	366,69	365,32		125	336	28	45	17	

## HTD Taper Bore 8M-30

Part Code	Teeth Number	Type	Material	Bush Number	Dp	De	Df	Dm	Di	F	S	R	Flange Number
TL22-8M-30	22	5F	STEEL	1008	56,02	54,65	60		37	38	22	16	53
TL24-8M-30	24	5F	STEEL	1108	61,12	59,75	66		44	38	22	16	69
TL26-8M-30	26	5F	STEEL	1108	66,21	64,84	70		44	38	22	16	61
TL28-8M-30	28	5F	STEEL	1210	71,3	69,93	75		50	38	25	13	79
TL30-8M-30	30	3F	STEEL	1615	76,39	75,02	83			38	38		73
TL32-8M-30	32	3F	STEEL	1615	81,49	80,16	87			38	38		76
TL34-8M-30	34	3F	STEEL	1615	86,58	85,22	91			38	38		66
TL36-8M-30	36	3F	STEEL	1615	91,67	90,3	97			38	38		68
TL38-8M-30	38	3F	STEEL	1615	96,77	95,39	102			38	38		70
TL40-8M-30	40	3F	STEEL	1615	101,86	100,49	106			38	38		77
TL44-8M-30	44	4F	STEEL	2012	112,05	110,67	120		86	38	32	3	75
TL48-8M-30	48	4F	STEEL	2012	122,23	120,86	128		90	38	32	3	78
TL56-8M-30	56	4F	STEEL	2012	142,60	141,23	150		110	38	32	3	58
TL64-8M-30	64	8F	STEEL	2517	162,97	161,60	168	125		38	45	7	90
TL72-8M-30	72	8WF	STEEL	2517	183,35	181,97	192	125	158	38	45	7	97
TLBO-BM-30	80	8A	CAST IRON	2517	203,72	202,35		125	180	38	45	7	
TL90-8M-30	90	8A	CAST IRON	2517	229,18	227,81		125	204	38	45	7	
TL112-8M-30	112	8A	CAST IRON	2517	285,21	283,83		125	254	38	45	7	
TL144-8M-30	144	8A	CAST IRON	2517	366,69	365,32		125	336	38	45	7	

## HTD Taper Bore 8M-50

Part Code	Teeth Number	Type	Material	Bush Number	Dp	De	Df	Dm	Di	F	S	R	Flange Number
TL28-8M-50	28	4F	STEEL	1210	71,3	69,93	75		50	60	25	17,5	79
TL30-8M-50	30	5F	STEEL	1615	76,39	75,02	83		58	60	38	22	73
TL32-8M-50	32	5F	STEEL	1615	81,49	80,16	87		62	60	38	22	76
TL34-8M-50	34	5F	STEEL	1615	86,58	85,22	91		65	60	38	22	66
TL36-8M-50	36	5F	STEEL	1615	91,67	90,3	97		68	60	38	22	68
TL38-8M-50	38	5F	STEEL	1615	96,77	95,39	102		72	60	38	22	70
TL40-8M-50	40	4F	STEEL	2012	101,86	100,49	106		82	60	32	14	77
TL44-8M-50	44	4F	STEEL	2012	112,05	110,67	120		91	60	32	14	75
TL48-8M-50	48	4F	STEEL	2012	122,23	120,86	128		95	60	32	14	78
TL56-8M-50	56	4F	STEEL	2517	142,60	141,23	150		116	60	45	7,5	85
TL64-8M-50	64	4F	STEEL	2517	162,97	161,60	168		137	60	45	7,5	90
TL72-8M-50	72	9WF	STEEL	2517	183,35	181,97	192	125	158	60	45	7,5	97
TL80-8M-50	80	4	CAST IRON	3020	203,72	202,35			180	60	51	4,5	
TL90-8M-50	90	9W	CAST IRON	3020	229,18	227,81		170	204	60	51	4,5	
TL112-BM-50	112	9W	CAST IRON	3020	285,21	283,83		170	260	60	51	4,5	
TL144-BM-50	144	9A	CAST IRON	3020	366,69	365,32		170	341	60	51	4,5	
TL168-BM-50	168	7A	CAST IRON	3525	427,81	426,44		198	395	60	65	2,5	
TL192-BM-50	192	7A	CAST IRON	3525	488,92	487,55		198	455	60	65	2,5	

## HTD Taper Bore 8M-85

Part Code	Teeth Number	Type	Material	Bush Number	Dp	De	Df	Dm	Di	F	S	R	Flange Number
TL34-8M-85	34	4F	STEEL	1615	86,58	85,22	91		65	95	38	28,5	66
TL36-8M-85	36	4F	STEEL	1615	91,67	90,3	97		68	95	38	28,5	68
TL38-8M-85	38	4F	STEEL	1615	96,77	95,39	102		72	95	38	28,5	70
TL40-8M-85	40	4F	STEEL	2012	101,86	100,49	106		82	95	32	31,5	77
TL44-8M-85	44	4F	STEEL	2012	112,05	110,67	120		91	95	32	31,5	75
TL48-8M-85	48	4F	STEEL	2517	122,23	120,86	128		100	95	45	25	78
TL56-8M-85	56	4F	STEEL	2517	142,6	141,23	150		117	95	45	25	85
TL64-8M-85	64	4F	STEEL	2517	162,97	161,60	168		137	95	45	25	90
TL72-8M-85	72	4F	STEEL	3020	183,35	181,97	192		158	95	51	22	97
TLBO-BM-85	80	4	CAST IRON	3020	203,72	202,35			180	95	51	22	
TL90-8M-85	90	9W	CAST IRON	3020	229,18	227,81		170	204	95	51	22	
TL112-BM-85	112	9W	CAST IRON	3020	285,21	283,83		170	260	95	51	22	
TL144-8M-85	144	9A	CAST IRON	3525	366,69	365,32		198	336	95	65	15	
TL168-SM-85	168	9A	CAST IRON	3525	427,81	426,44		198	395	95	65	15	
TL192-BM-85	192	9A	CAST IRON	3525	488,92	487,55		198	455	95	65	15	

## HTD Taper Bore 14M-40

Part Code	Teeth Number	Type	Material	Bush Number	Dp	De	Df	Dm	Di	F	S	R	Flange Number
TL28-14M-40	28	4F	STEEL	2012	124,78	122,12	128		94	54	32	11	153
TL29-14M-40	29	4F	STEEL	2012	129,23	126,57	138		98	54	32	11	154
TL30-14M-40	30	4F	STEEL	2012	133,69	130,99	138		98	54	32	11	154
TL32-14M-40	32	4F	STEEL	2012	142,6	139,88	154		108	54	32	11	160
TL34-14M-40	34	4F	STEEL	2517	151,52	148,79	160		110	54	45	4,5	166
TL36-14M-40	36	4F	STEEL	2517	160,43	157,68	168		120	54	45	4,5	168
TL38-14M-40	38	4F	STEEL	2517	169,34	166,6	183		130	54	45	4,5	172
TL40-14M-40	40	4F	STEEL	2517	178,25	175,49	188		138	54	45	4,5	162
TL44-14M-40	44	4F	STEEL	3020	196,08	193,28	211		155	54	51	1,5	175
TL48-14M-40	48	4F	STEEL	3020	213,90	211,11	226		170	54	51	1,5	180
TL56-14M-40	56	9WF	STEEL	3020	249,55	246,76	256	170	208	54	51	1,5	182
TL64-14M-40	64	9WF	CAST IRON	3020	285,21	282,41	296	170	240	54	51	1,5	184
TL72-14M-40	72	9W	CAST IRON	3020	320,86	318,06		170	280	54	51	15	
TL80-14M-40	80	9A	CAST IRON	3020	356,51	353,71		170	315	54	51	1,5	
TL90-14M-40	90	9A	CAST IRON	3020	401,07	398,28		170	360	54	51	1,5	
TL112-14M-40	112	9A	CAST IRON	3020	499,11	496,32		170	457	54	51	1,5	
TL144-14M-40	144	9A	CAST IRON	3020	641,71	638,92		170	600	54	51	1,5	
TL168-14M-40	168	9A	CAST IRON	3020	748,66	745,87		170	706	54	51	1,5	
TL192-14M-40	192	9A	CAST IRON	3020	855,62	852,82		170	813	54	51	1,5	
TL216-14M-40	216	9A	CAST IRON	3020	962,57	959,76		170	920	54	51	1,5	

## HTD Taper Bore 14M-55

Part Code	Teeth Number	Type	Material	Bush Number	Dp	De	Df	Dm	Di	F	S	R	Flange Number
TL28-14M-55	28	4F	STEEL	2012	124,78	122,12	128		94	70	32	19	153
TL29-14M-55	29	4F	STEEL	2012	129,23	126,57	138		100	70	32	19	154
TL30-14M-55	30	4F	STEEL	2517	133,69	130,99	138		100	70	45	12,5	154
TL32-14M-55	32	4F	STEEL	2517	142,6	139,88	154		108	70	45	12,5	160
TL34-14M-55	34	4F	STEEL	2517	151,52	148,79	160		110	70	45	12,5	166
TL36-14M-55	36	4F	STEEL	2517	160,43	157,68	168		120	70	4	12,5	168
TL38-14M-55	38	4F	STEEL	2517	169,34	166,6	183		130	70	45	12,5	172
TL40-14M-55	40	4F	STEEL	2517	178,25	175,49	188		138	70	45	12,5	162
TL44-14M-55	44	4F	STEEL	3020	196,08	193,28	211		155	70	51	9,5	175
TL48-14M-55	48	4F	STEEL	3020	213,90	211,11	226		170	70	51	9,5	180
TL56-14M-55	56	9WF	STEEL	3020	249,55	246,76	256	170	208	70	51	9,5	182
TL64-14M-55	64	9WF	CAST IRON	3020	285,21	282,41	296	170	240	70	51	9,5	184
TL72-14M-55	72	9W	CAST IRON	3020	320,86	318,06		170	280	70	51	9,5	
TL80-14M-55	80	9A	CAST IRON	3020	356,51	353,71		170	315	70	51	9,5	
TL90-14M-55	90	9A	CAST IRON	3020	401,07	398,28		170	360	70	51	9,5	
TL112-14M-55	112	9A	CAST IRON	3020	499,11	496,32		170	457	70	51	9,5	
TL144-14M-55	144	9A	CAST IRON	3020	641,71	638,92		170	600	70	51	9,5	
TL168-14M-55	168	9A	CAST IRON	3020	748,66	745,87		170	706	70	51	9,5	
TL192-14M-55	192	9A	CAST IRON	3020	855,62	852,82		170	813	70	51	9,5	
TL216-14M-55	216	?A	CAST IRON	3535	962,57	959,76		190	920	70	89	9,5	

## HTD Taper Bore 14M-85

Part Code	Teeth Number	Type	Material	Bush Number	Dp	De	Df	Dm	Di	F	S	R	Flange Number
TL28-14M-85	28	4F	STEEL	2517	124,78	122,12	128		98	102	45	28,5	153
TL29-14M-85	29	4F	STEEL	2517	129,23	126,57	138		100	102	45	28,5	154
TL30-14M-85	30	4F	STEEL	2517	133,69	130,99	138		100	102	45	28,5	154
TL32-14M-85	32	4F	STEEL	2517	142,6	139,88	154		108	102	45	28,5	160
TL34-14M-85	34	4F	STEEL	2517	151,52	148,79	160		110	102	45	28,5	166
TL36-14M-85	36	4F	STEEL	3020	160,43	157,68	168		120	102	51	25,5	168
TL38-14M-85	38	4F	STEEL	3020	169,34	166,6	183		130	102	51	25,5	172
TL40-14M-85	40	4F	STEEL	3020	178,25	175,49	188		138	102	51	25,5	162
TL44-14M-85	44	4F	STEEL	3020	196,08	193,28	211		153	102	51	25,5	175
TL48-14M-85	48	4F	STEEL	3020	213,90	211,11	226		170	102	51	25,5	180
TL56-14M-85	56	4F	STEEL	3525	249,55	246,76	256		210	102	65	18,5	182
TL64-14M-85	64	9WF	CAST IRON	3525	285,21	282,41	296	190	240	102	65	18,5	184
TL72-14M-85	72	9W	CAST IRON	3525	320,86	318,06		190	280	102	65	18,5	
TL80-14M-85	80	9A	CAST IRON	3525	356,51	353,71		190	315	102	65	18,5	
TL90-14M-85	90	9A	CAST IRON	3525	401,07	398,28		190	360	102	65	18,5	
TL112-14M-85	112	9A	CAST IRON	3525	499,11	496,32		190	457	102	65	18,5	
TL144-14M-85	144	9A	CAST IRON	3525	641,71	638,92		190	600	102	65	18,5	
TL168-14M-85	168	9A	CAST IRON	3525	748,66	745,87		190	706	102	65	18,5	
TL192-14M-85	192	3A	CAST IRON	4040	855,62	852,82		190	813	102	102		
TL216-14M-85	216	3A	CAST IRON	4040	962,57	959,76		190	920	102	102		

## HTD Taper Bore 14M-115

Part Code	Teeth Number	Type	Material	Bush Number	Dp	De	Df	Dm	Di	F	S	R	Flange Number
TL28-14M-115	28	4F	STEEL	2517	124,78	122,12	128		98	133	45	44	153
TL29-14M-115	29	4F	STEEL	2517	129,23	126,57	138		100	133	45	44	154
TL30-14M-115	30	4F	STEEL	2517	133,69	130,99	138		100	133	45	44	154
TL32-14M-115	32	4F	STEEL	2517	142,60	139,88	154		108	133	45	44	160
TL34-14M-115	34	4F	STEEL	2517	151,52	148,79	160		110	133	45	44	166
TL36-14M-115	36	4F	STEEL	3020	160,43	157,68	168		125	133	51	41	168
TL38-14M-115	38	4F	STEEL	3020	169,34	166,6	183		130	133	51	41	172
TL40-14M-115	40	4F	STEEL	3020	178,25	175,49	188		138	133	51	41	162
TL44-14M-115	44	4F	STEEL	3030	196,08	193,28	211		155	133	76	28,5	175
TL48-14M-115	48	4F	STEEL	3030	213,9	211,11	226		170	133	76	28,5	180
TL56-14M-115	56	4F	STEEL	3535	249,55	246,76	256		208	133	89	22	182
TL64-14M-115	64	9WF	CAST IRON	3535	285,21	282,41	296	190	240	133	89	22	184
TL72-14M-115	72	9W	CAST IRON	3535	320,86	318,06		190	280	133	89	22	
TL80-14M-115	80	9A	CAST IRON	3535	356,51	353,71		190	315	133	89	22	
TL90-14M-115	90	9A	CAST IRON	3535	401,07	398,28		190	360	133	89	22	
TL112-14M-115	112	9A	CAST IRON	3535	499,11	496,32		190	457	133	89	22	
TL144-14M-115	144	9A	CAST IRON	4040	641,71	638,92		230	600	133	102	15,5	
TL168-14M-115	168	9A	CAST IRON	4040	748,66	745,87		230	706	133	102	15,5	
TL192-14M-115	192	9A	CAST IRON	4040	855,62	852,82		230	813	133	102	15,5	
TL216-14M-115	216	9A	CAST IRON	4040	962,57	959,76		230	920	133	102	15,5	

## HTD Taper Bore 14M-170

Part Code	Teeth Number	Type	Material	Bush Number	Dp	De	Df	Dm	Di	F	S	R	Flange Number
TL38-14M-170	38	4F	STEEL	3030	169,34	166,6	183		130	187	76	55,5	172
TL40-14M-170	40	4F	STEEL	3030	178,25	175,49	188		138	187	76	55,5	162
TL44-14M-170	44	4F	STEEL	3535	196,08	193,28	211		153	187	89	49	175
TL48-14M-170	48	4F	STEEL	3535	213,90	211,11	226		170	187	89	49	180
TL56-14M-170	56	4F	STEEL	3535	249,55	246,76	256		208	187	89	49	182
TL64-14M-170	64	4F	CAST IRON	4040	285,21	282,41	296		240	187	102	42,5	184
TL72-14M-170	72	9W	CAST IRON	4040	320,86	318,06		230	280	187	102	42,5	
TL80-14M-170	80	9W	CAST IRON	4040	356,51	353,71		230	315	187	102	42,5	
TL90-14M-170	90	9A	CAST IRON	4040	401,07	398,28		230	360	187	102	42,5	
TL112-14M-170	112	9A	CAST IRON	5050	499,11	496,32		265	457	187	127	30	
TL144-14M-170	144	9A	CAST IRON	5050	641,71	638,92		265	600	187	127	30	
TL168-14M-170	168	9A	CAST IRON	5050	748,66	745,87		265	706	187	127	30	
TL192-14M-170	192	9A	CAST IRON	5050	855,62	852,82		265	813	187	127	30	
TL216-14M-170	216	9A	CAST IRON	5050	962,57	959,76		265	920	187	127	30	

## T 2.5 (Pitch=2.5mm) for belt width 6 mm

Part Code	Number of Teeth	Type	Mat.	Dp	De	Df	Dm	F	L	d	Flange Code
12T2.5-16	12	1F		9.60	9.00	13	13	9	16	-	501
14T2.5-16	14	1F	AL	11.20	10.60	15	15	9	16	-	502
15T2.5-16	15	1F		12.00	11.40	15	15	9	16	-	502
16T2.5-16	16	1F		12.80	12.20	16	16	9	16	-	503
18T2.5-16	18	6F	AL	14.40	13.80	17.5	10	10	16	-	504
19T2.5-16	19	6F		15.20	14.60	20	10	10	16	-	505
20T2.5-16	20	6F		16.00	15.40	20	11	10	16	-	505
22T2.5-16	22	6F	AL	16.60	17.00	22	11	10	16	-	512
24T2.5-16	24	6F		19.15	18.55	22	12	10	16	-	512
25T2.5-16	25	6F		19.95	19.35	23	13	10	16	-	506
26T2.5-16	26	6F	AL	20.75	20.15	25	14	10	16	-	507
28T2.5-16	28	6F		22.35	21.75	25	14	10	16	-	507
30T2.5-16	30	6F		23.95	23.35	28	16	10	16	-	508
32T2.5-16	32	6F	AL	25.95	24.95	32	16	10	16	-	509
36T2.5-16	36	6F		28.75	28.10	36	20	10	16	-	510
40T2.5-16	40	6F		31.90	31.30	38	22	10	16	-	511
44T2.5-16	44	6F	AL	35.10	34.50	42	24	10	16	-	513
48T2.5-16	48	6		38.30	37.70	-	26	10	16	-	
60T2.5-16	60	6	AL	47.85	47.25	-	34	10	16	-	-

## T 5 (Pitch=5mm) for belt width 10 mm

Part Code	Number of Teeth	Type	Mat.	Dp	De	Df	Dm	F	L	d	Flange Code
10T5-21	10	6F		16.05	15.05	19.5	8	15	21	-	3
12T5-21	12	6F	AL	19.25	18.25	23	11	15	21	-	1
14T5-21	14	6F		22.45	21.45	25	13	15	21	-	2
15T5-21	15	6F		24.05	23.05	28	16	15	21	-	4
16T5-21	16	6F	AL	25.06	24.60	32	18	15	21	-	5
18T5-21	18	6F		28.80	27.80	32	10	15	21	-	6
19T5-21	19	6F		30.40	29.40	36	20	15	21	-	8
20T5-21	20	6F	AL	32.00	31.00	36	22	15	21	-	8
22T5-21	22	6F		32.15	34.15	38	23	15	21	-	9
24T5-21	24	6F		38.40	37.40	42	24	15	21	-	13
25T5-21	25	6F	AL	39.95	39.85	44	26	15	21	-	12
26T5-21	26	6F		41.60	40.60	44	26	15	21	-	12
27T5-21	27	6F		43.20	42.20	48	30	15	21	-	11
28T5-21	28	6F	AL	44.75	43.75	48	32	15	21	-	11
30T5-21	30	6F		47.95	46.95	51	34	15	21	-	16
32T5-21	32	6F		51.10	50.10	54	38	15	21	-	18
36T5-21	36	6F	AL	57.45	56.45	64	38	15	21	-	23
40T5-21	40	6F		63.85	62.85	67	40	15	21	-	24
42T5-21	42	6F		67.00	66.00	70	40	15	21	-	26
44T5-21	44	6	AL	70.20	69.20	-	45	15	21	-	-
48T5-21	48	6		76.55	75.55	-	50	15	21	-	-
60T5-21	60	6	AL	95.65	94.65	-	65	15	21	-	-

## T 5 (Pitch=5mm) for belt width 16 mm

Part Code	Number of Teeth	Type	Mat.	Dp	De	Df	Dm	F	L	d	Flange Code
10T5-27	10	6F		16.05	15.05	19.5	8	21	27	-	3
12T5-27	12	6F	AL	19.25	18.25	23	11	21	27	-	1
14T5-27	14	6F		22.45	21.45	25	13	21	27	-	2
15T5-27	15	6F		24.05	23.05	28	16	21	27	-	4
16T5-27	16	6F	AL	25.06	24.60	32	18	21	27	-	5
18T5-27	18	6F		28.80	27.80	32	10	21	27	-	6
19T5-27	19	6F		30.40	29.40	36	20	21	27	-	8
20T5-27	20	6F	AL	32.00	31.00	36	22	21	27	-	8
22T5-27	22	6F		32.15	34.15	38	23	21	27	-	9
24T5-27	24	6F		38.40	37.40	42	24	21	27	-	13
25T5-27	25	6F	AL	39.95	39.85	44	26	21	27	-	12
26T5-27	26	6F		41.60	40.60	44	26	21	27	-	12
27T5-27	27	6F		43.20	42.20	48	30	21	27	8	11
28T5-27	28	6F	AL	44.75	43.75	48	32	21	27	8	11
30T5-27	30	6F		47.95	46.95	51	34	21	27	8	16
32T5-27	32	6F		51.10	50.10	54	38	21	27	8	18
36T5-27	36	6F	AL	57.45	56.45	64	38	21	27	8	23
40T5-27	40	6F		63.85	62.85	67	40	21	27	8	24
42T5-27	42	6F		67.00	66.00	70	40	21	27	8	26
44T5-27	44	6	AL	70.20	69.20	-	45	21	27	8	-
48T5-27	48	6		76.55	75.55	-	50	21	27	8	-
60T5-27	60	6	AL	95.65	94.65	-	65	21	27	8	-

## T 5 (Pitch=5mm) for belt width 25 mm

Part Code	Number of Teeth	Type	Mat.	Dp	De	Df	Dm	F	L	d	Flange Code
10T5-36	10	6F		16.05	15.05	19.5	8	30	36	-	3
12T5-36	12	6F	AL	19.25	18.25	23	11	30	36	-	1
14T5-36	14	6F		22.45	21.45	25	13	30	36	-	2
15T5-36	15	6F		24.05	23.05	28	16	30	36	-	4
16T5-36	16	6F	AL	25.06	24.60	32	18	30	36	-	5
18T5-36	18	6F		28.80	27.80	32	10	30	36	-	6
19T5-36	19	6F		30.40	29.40	36	20	30	36	-	8
20T5-36	20	6F	AL	32.00	31.00	36	22	30	36	-	8
22T5-36	22	6F		32.15	34.15	38	23	30	36	-	9
24T5-36	24	6F		38.40	37.40	42	24	30	36	8	13
25T5-36	25	6F	AL	39.95	39.85	44	26	30	36	8	12
26T5-36	26	6F		41.60	40.60	44	26	30	36	8	12
27T5-36	27	6F		43.20	42.20	48	30	30	36	8	11
28T5-36	28	6F	AL	44.75	43.75	48	32	30	36	8	11
30T5-36	30	6F		47.95	46.95	51	34	30	36	8	16
32T5-36	32	6F		51.10	50.10	54	38	30	36	8	18
36T5-36	36	6F	AL	57.45	56.45	64	38	30	36	8	23
40T5-36	40	6F		63.85	62.85	67	40	30	36	8	24
42T5-36	42	6F		67.00	66.00	70	40	30	36	8	26
44T5-36	44	6	AL	70.20	69.20	-	45	30	36	8	-
48T5-36	48	6		76.55	75.55	-	50	30	36	8	-
60T5-36	60	6	AL	95.65	94.65	-	65	30	36	8	-

## T 10 (Pitch=10mm) for belt width 16 mm

Part Code	Number of Teeth	Type	Mat.	Dp	De	Df	Dm	F	L	d	Flange Code
12T10-31	12	6F		38.35	36.35	42	28	21	31	-	13
14T10-31	14	6F	AL	44.70	42.70	48	32	21	31	8	11
15T10-31	15	6F		47.90	45.90	51	32	21	31	8	16
16T10-31	16	6F		51.10	49.10	54	35	21	31	8	18
18T10-31	18	6F	AL	57.45	55.45	60	40	21	31	8	21
19T10-31	19	6F		60.65	58.65	66	44	21	31	8	24
20T10-31	20	6F		63.80	61.80	66	46	21	31	8	24
22T10-31	22	6F	AL	70.20	68.20	75	52	21	31	8	27
24T10-31	24	6F		76.55	74.55	83	58	21	31	8	29
25T10-31	25	6F		79.55	77.70	83	60	21	31	8	29
26T10-31	26	6F	AL	82.90	80.90	87	60	21	31	8	31
27T10-31	27	6F		86.10	84.10	91	60	21	31	8	32
28T10-31	28	6F		89.25	87.25	93	60	21	31	8	33
30T10-31	30	6F	AL	95.65	93.65	97	60	21	31	8	35
32T10-31	32	6F		102.00	100.00	106	65	21	31	10	38
36T10-31	36	6F		114.75	112.75	119	70	21	31	10	43
40T10-31	40	6F	AL	127.45	125.45	131	80	21	31	10	47
44T10-31	44	6		140.20	138.20	-	88	21	31	10	-
48T10-31	48	6		152.95	150.95	-	95	21	31	16	-
60T10-31	60	6	AL	191.15	189.10	-	110	21	31	16	-

## T 10 (Pitch=10mm) for belt width 25 mm

Part Code	Number of Teeth	Type	Mat.	Dp	De	Df	Dm	F	L	d	Flange Code
12T10-40	12	6F		38.35	36.35	42	28	30	40	-	13
14T10-40	14	6F	AL	44.70	42.70	48	32	30	40	8	11
15T10-40	15	6F		47.90	45.90	51	32	30	40	8	16
16T10-40	16	6F		51.10	49.10	54	35	30	40	8	18
18T10-40	18	6F	AL	57.45	55.45	60	40	30	40	8	21
19T10-40	19	6F		60.65	58.65	66	44	30	40	8	24
20T10-40	20	6F		63.80	61.80	66	46	30	40	8	24
22T10-40	22	6F	AL	70.20	68.20	75	52	30	40	8	27
24T10-40	24	6F		76.55	74.55	83	58	30	40	8	29
25T10-40	25	6F		79.55	77.70	83	60	30	40	8	29
26T10-40	26	6F	AL	82.90	80.90	87	60	30	40	8	31
27T10-40	27	6F		86.10	84.10	91	60	30	40	8	32
28T10-40	28	6F		89.25	87.25	93	60	30	40	8	33
30T10-40	30	6F	AL	95.65	93.65	97	60	30	40	8	35
32T10-40	32	6F		102.00	100.00	106	65	30	40	10	38
36T10-40	36	6F		114.75	112.75	119	70	30	40	10	43
40T10-40	40	6F	AL	127.45	125.45	131	80	30	40	10	47
44T10-40	44	6		140.20	138.20	-	88	30	40	10	-
48T10-40	48	6		152.95	150.95	-	95	30	40	16	-
60T10-40	60	6	AL	191.15	189.10	-	110	30	40	16	-

## T 10 (Pitch=10mm) for belt width 32 mm

Part Code	Number of Teeth	Type	Mat.	Dp	De	Df	Dm	F	L	d	Flange Code
18T10-47	18	6F		57.45	55.45	60	40	37	47	10	21
19T10-47	19	6F	AL	60.65	58.65	66	44	37	47	10	24
20T10-47	20	6F		63.80	61.80	66	46	37	47	12	24
22T10-47	22	6F		70.20	68.20	75	52	37	47	12	27
24T10-47	24	6F	AL	76.55	74.55	83	58	37	47	12	29
25T10-47	25	6F		79.55	77.70	83	60	37	47	12	29
26T10-47	26	6F		82.90	80.90	87	60	37	47	12	31
27T10-47	27	6F	AL	86.10	84.10	91	60	37	47	12	32
28T10-47	28	6F		89.25	87.25	93	60	37	47	12	33
30T10-47	30	6F		95.65	93.65	97	60	37	47	12	35
32T10-47	32	6F	AL	102.00	100.00	106	65	37	47	12	38
36T10-47	36	6F		114.75	112.75	119	70	37	47	16	43
40T10-47	40	6F		127.45	125.45	131	80	37	47	16	47
44T10-47	44	6	AL	140.20	138.20	-	88	37	47	16	-
48T10-47	48	6		152.95	150.95	-	95	37	47	16	-
60T10-47	60	6	AL	191.15	189.10	-	110	37	47	16	-

## T 10 (Pitch=10mm) for belt width 50 mm

Part Code	Number of Teeth	Type	Mat.	Dp	De	Df	Dm	F	L	d	Flange Code
18T10-66	18	6F		57.45	55.45	60	40	56	66	10	21
19T10-66	19	6F	AL	60.65	58.65	66	44	56	66	10	24
20T10-66	20	6F		63.80	61.80	66	46	56	66	12	24
22T10-66	22	6F		70.20	68.20	75	52	56	66	12	27
24T10-66	24	6F	AL	76.55	74.55	83	58	56	66	12	29
25T10-66	25	6F		79.55	77.70	83	60	56	66	12	29
26T10-66	26	6F		82.90	80.90	87	60	56	66	12	31
27T10-66	27	6F	AL	86.10	84.10	91	60	56	66	12	32
28T10-66	28	6F		89.25	87.25	93	60	56	66	12	33
30T10-66	30	6F		95.65	93.65	97	60	56	66	12	35
32T10-66	32	6F	AL	102.00	100.00	106	65	56	66	12	38
36T10-66	36	6F		114.75	112.75	119	70	56	66	16	43
40T10-66	40	6F		127.45	125.45	131	80	56	66	16	47
44T10-66	44	6	AL	140.20	138.20	-	88	56	66	16	-
48T10-66	48	6		152.95	150.95	-	95	56	66	16	-
60T10-66	60	6	AL	191.15	189.10	-	110	56	47	16	-

## AT5(Pitch=5mm)for belt width 10 mm

Part Code	Number of Teeth	Type	Mat.	De	Df	Dm	F	L	d	Flange Code
12AT5-21	12	6F	AL	17.85	23.00	11	15	21	-	1
14AT5-21	14	6F	AL	21.05	25.00	14	15	21	-	2
15AT5-21	15	6F	AL	22.65	28.00	16	15	21	-	4
16AT5-21	16	6F	AL	24.20	32.00	18	15	21	-	5
18AT5-21	18	6F	AL	27.40	32.00	20	15	21	-	6
19AT5-21	19	6F	AL	29.00	36.00	22	15	21	-	8
20AT5-21	20	6F	AL	30.60	36.00	23	15	21	-	8
22AT5-21	22	6F	AL	33.85	38.00	24	15	21	-	9
24AT5-21	24	6F	AL	37.00	42.00	26	15	21	-	13
25AT5-21	25	6F	AL	38.60	44.00	26	15	21	-	12
26AT5-21	26	6F	AL	40.20	44.00	26	15	21	-	12
27AT5-21	27	6F	AL	41.80	48.00	30	15	21	8	11
28AT5-21	28	6F	AL	43.35	48.00	32	15	21	8	11
30AT5-21	30	6F	AL	46.55	51.00	34	15	21	8	16
32AT5-21	32	6F	AL	49.70	54.00	36	15	21	8	18
36AT5-21	36	6F	AL	56.05	64.00	38	15	21	8	23
40AT5-21	40	6F	AL	62.45	67.00	40	15	21	8	24
42AT5-21	42	6F	AL	65.60	70.00	40	15	21	8	26
44AT5-21	44	6	AL	68.80	-	45	15	21	8	-
48AT5-21	48	6	AL	75.15	-	50	15	21	8	-
60AT5-21	60	6	AL	94.25	-	65	15	21	8	-

## AT5(Pitch=5mm)for belt width 16 mm

Part Code	Number of Teeth	Type	Mat.	De	Df	Dm	F	L	d	Flange Code
12AT5-27	12	6F	AL	17.85	23.00	11	21	27	-	1
14AT5-27	14	6F	AL	21.05	25.00	14	21	27	-	2
15AT5-27	15	6F	AL	22.65	28.00	16	21	27	-	4
16AT5-27	16	6F	AL	24.20	32.00	18	21	27	-	5
18AT5-27	18	6F	AL	27.40	32.00	20	21	27	-	6
19AT5-27	19	6F	AL	29.00	36.00	22	21	27	-	8
20AT5-27	20	6F	AL	30.60	36.00	23	21	27	-	8
22AT5-27	22	6F	AL	33.85	38.00	24	21	27	-	9
24AT5-27	24	6F	AL	37.00	42.00	26	21	27	-	13
25AT5-27	25	6F	AL	38.60	44.00	26	21	27	-	12
26AT5-27	26	6F	AL	40.20	44.00	26	21	27	-	12
27AT5-27	27	6F	AL	41.80	48.00	30	21	27	8	11
28AT5-27	28	6F	AL	43.35	48.00	32	21	27	8	11
30AT5-27	30	6F	AL	46.55	51.00	34	21	27	8	16
32AT5-27	32	6F	AL	49.70	54.00	36	21	27	8	18
36AT5-27	36	6F	AL	56.05	64.00	38	21	27	8	23
40AT5-27	40	6F	AL	62.45	67.00	40	21	27	8	24
42AT5-27	42	6F	AL	65.60	70.00	40	21	27	8	26
44AT5-27	44	6	AL	68.80	-	45	21	27	8	-
48AT5-27	48	6	AL	75.15	-	50	21	27	8	-
60AT5-27	60	6	AL	94.25	-	65	21	27	8	-

## AT5(Pitch=5mm)for belt width 25 mm

Part Code	Number of Teeth	Type	Mat.	De	Df	Dm	F	L	d	Flange Code
12AT5-36	12	6F	AL	17.85	23.00	11	30	36	-	1
14AT5-36	14	6F	AL	21.05	25.00	14	30	36	-	2
15AT5-36	15	6F	AL	22.65	28.00	16	30	36	-	4
16AT5-36	16	6F	AL	24.20	32.00	18	30	36	-	5
18AT5-36	18	6F	AL	27.40	32.00	20	30	36	-	6
19AT5-36	19	6F	AL	29.00	36.00	22	30	36	-	8
20AT5-36	20	6F	AL	30.60	36.00	23	30	36	-	8
22AT5-36	22	6F	AL	33.85	38.00	24	30	36	-	9
24AT5-36	24	6F	AL	37.00	42.00	26	30	36	-	13
25AT5-36	25	6F	AL	38.60	44.00	26	30	36	-	12
26AT5-36	26	6F	AL	40.20	44.00	26	30	36	-	12
27AT5-36	27	6F	AL	41.80	48.00	30	30	36	8	11
28AT5-36	28	6F	AL	43.35	48.00	32	30	36	8	11
30AT5-36	30	6F	AL	46.55	51.00	34	30	36	8	16
32AT5-36	32	6F	AL	49.70	54.00	36	30	36	8	18
36AT5-36	36	6F	AL	56.05	64.00	38	30	36	8	23
40AT5-36	40	6F	AL	62.45	67.00	40	30	36	8	24
42AT5-36	42	6F	AL	65.60	70.00	40	30	36	8	26
44AT5-36	44	6	AL	68.80	-	45	30	36	8	-
48AT5-36	48	6	AL	75.15	-	50	30	36	8	-
60AT5-36	60	6	AL	94.25	-	65	30	36	8	-

## AT10(Pitch=10mm)for belt width 16 mm

Part Code	Number of Teeth	Type	Mat.	De	Df	Dm	F	L	d	Flange Code
15AT10-31	15	6F	AL	45.90	51.00	31	21	31	8	16
16AT10-31	16	6F	AL	49.05	54.00	35	21	31	8	18
18AT10-31	18	6F	AL	55.45	60.00	40	21	31	8	21
19AT10-31	19	6F	AL	58.60	66.00	44	21	31	8	24
20AT10-31	20	6F	AL	61.80	66.00	46	21	31	8	24
22AT10-31	22	6F	AL	68.15	75.00	52	21	31	8	27
24AT10-31	24	6F	AL	74.55	83.00	58	21	31	8	29
25AT10-31	25	6F	AL	77.70	83.00	60	21	31	8	29
26AT10-31	26	6F	AL	80.90	87.00	60	21	31	8	31
27AT10-31	27	6F	AL	84.10	91.00	60	21	31	8	32
28AT10-31	28	6F	AL	87.25	93.00	60	21	31	8	33
30AT10-31	30	6F	AL	93.65	97.00	60	21	31	8	35
32AT10-31	32	6F	AL	100.00	106.00	65	21	31	10	38
36AT10-31	36	6F	AL	112.75	119.00	70	21	31	10	43
40AT10-31	40	6F	AL	125.45	131.00	80	21	31	10	47
44AT10-31	44	6	AL	138.20	-	88	21	31	10	-
48AT10-31	48	6	AL	150.95	-	95	21	31	16	-
60AT10-31	60	6	AL	189.10	-	110	21	31	16	-

## AT10(Pitch=10mm)for belt width 25 mm

Part Code	Number of Teeth	Type	Mat.	De	Df	Dm	F	L	d	Flange Code
15AT10-40	15	6F	AL	45.90	51.00	31	30	40	8	16
16AT10-40	16	6F	AL	49.05	54.00	35	30	40	8	18
18AT10-40	18	6F	AL	55.45	60.00	40	30	40	8	21
19AT10-40	19	6F	AL	58.60	66.00	44	30	40	8	24
20AT10-40	20	6F	AL	61.80	66.00	46	30	40	8	24
22AT10-40	22	6F	AL	68.15	75.00	52	30	40	8	27
24AT10-40	24	6F	AL	74.55	83.00	58	30	40	8	29
25AT10-40	25	6F	AL	77.70	83.00	60	30	40	8	29
26AT10-40	26	6F	AL	80.90	87.00	60	30	40	8	31
27AT10-40	27	6F	AL	84.10	91.00	60	30	40	8	32
28AT10-40	28	6F	AL	87.25	93.00	60	30	40	8	33
30AT10-40	30	6F	AL	93.65	97.00	60	30	40	8	35
32AT10-40	32	6F	AL	100.00	106.00	65	30	40	10	38
36AT10-40	36	6F	AL	112.75	119.00	70	30	40	10	43
40AT10-40	40	6F	AL	125.45	131.00	80	30	40	10	47
44AT10-40	44	6	AL	138.20	-	88	30	40	10	-
48AT10-40	48	6	AL	150.95	-	95	30	40	16	-
60AT10-40	60	6	AL	189.10	-	110	30	40	16	-

## AT10(Pitch=10mm)for belt width 32 mm

Part Code	Number of Teeth	Type	Mat.	De	Df	Dm	F	L	d	Flange Code
18AT10-47	18	6F	AL	55.45	60.00	40	37	47	10	21
19AT10-47	19	6F	AL	58.60	66.00	44	37	47	10	24
20AT10-47	20	6F	AL	61.80	66.00	46	37	47	12	24
22AT10-47	22	6F	AL	68.15	75.00	52	37	47	12	27
24AT10-47	24	6F	AL	74.55	83.00	58	37	47	12	29
25AT10-47	25	6F	AL	77.70	83.00	60	37	47	12	29
26AT10-47	26	6F	AL	80.90	87.00	60	37	47	12	31
27AT10-47	27	6F	AL	84.10	91.00	60	37	47	12	32
28AT10-47	28	6F	AL	87.25	93.00	60	37	47	12	33
30AT10-47	30	6F	AL	93.65	97.00	60	37	47	12	35
32AT10-47	32	6F	AL	100.00	106.00	65	37	47	12	38
36AT10-47	36	6F	AL	112.75	119.00	70	37	47	16	43
40AT10-47	40	6F	AL	125.45	131.00	80	37	47	16	47
44AT10-47	44	6	AL	138.20	-	88	37	47	16	-
48AT10-47	48	6	AL	150.95	-	95	37	47	16	-
60AT10-47	60	6	AL	189.10	-	110	37	47	16	-

## AT10(Pitch=10mm)for belt width 50 mm

Part Code	Number of Teeth	Type	Mat.	De	Df	Dm	F	L	d	Flange Code
18AT10-66	18	6F	AL	55.45	60.00	40	56	66	10	21
19AT10-66	19	6F	AL	58.60	66.00	44	56	66	10	24
20AT10-66	20	6F	AL	61.80	66.00	46	56	66	12	24
22AT10-66	22	6F	AL	68.15	75.00	52	56	66	12	27
24AT10-66	24	6F	AL	74.55	83.00	58	56	66	12	29
25AT10-66	25	6F	AL	77.70	83.00	60	56	66	12	29
26AT10-66	26	6F	AL	80.90	87.00	60	56	66	12	31
27AT10-66	27	6F	AL	84.10	91.00	60	56	66	12	32
28AT10-66	28	6F	AL	87.25	93.00	60	56	66	12	33
30AT10-66	30	6F	AL	93.65	97.00	60	56	66	12	35
32AT10-66	32	6F	AL	100.00	106.00	65	56	66	12	38
36AT10-66	36	6F	AL	112.75	119.00	70	56	66	16	43
40AT10-66	40	6F	AL	125.45	131.00	80	56	66	16	47
44AT10-66	44	6	AL	138.20	-	88	56	66	16	-
48AT10-66	48	6	AL	150.95	-	95	56	66	16	-
60AT10-66	60	6	AL	189.10	-	110	56	66	16	-

## STANDARD TOOTHED BARS

**MXL - 0.08”(mm 2.031)**

**XL - 1/5”(mm 5.07)**

**L - 3/8”(mm 9.524)**

**Material: AL**

**Material:AL or STEEL**

**Material:AL or STEEL**

Part Code	Number of Teeth	De	Lu	L
10MXL	10	5.97	50	75
11MXL	11	6.6	50	75
12MXL	12	7.26	50	75
13MXL	13	7.9	50	75
14MXL	14	8.56	50	75
15MXL	15	9.19	50	75
16MXL	16	9.83	50	75
17MXL	17	10.49	50	75
18MXL	18	11.12	50	75
19MXL	19	11.78	50	120
20MXL	20	12.42	50	120
21MXL	21	13.08	50	120
22MXL	22	13.72	50	140
23MXL	23	14.38	50	140
24MXL	24	15.01	50	140
25MXL	25	15.67	50	140
26MXL	26	16.31	50	140
27MXL	27	16.94	50	140
28MXL	28	16.7	125	140
29MXL	29	18.24	125	140
30MXL	30	18.9	125	140
32MXL	32	20.19	125	140
34MXL	34	21.49	125	140
35MXL	35	22.12	125	140
36MXL	36	22.78	125	140
38MXL	38	24.08	125	140
40MXL	40	25.37	125	140
42MXL	42	26.67	125	140
44MXL	44	27.94	125	140
45MXL	45	28.6	125	140
48MXL	48	30.53	125	140
50MXL	50	32.33	125	140
60MXL	60	38.3	125	160
64MXL	64	40.89	125	160
65MXL	65	41.53	125	160
70MXL	70	45	125	160
72MXL	72	46.05	160	160
75MXL	75	48.01	160	160
90MXL	90	57.71	160	160
110MXL	110	70.64	160	160

Part Code	Number of Teeth	De	Lu	L
10XL	10	15.66	125	140
11XL	11	17.28	125	140
12XL	12	18.9	125	140
13XL	13	20.51	125	140
14XL	14	22.13	132	140
15XL	15	23.75	132	140
16XL	16	25.36	140	140
17XL	17	26.98	140	140
18XL	18	28.6	140	140
19XL	19	30.22	140	140
20XL	20	31.83	140	140
21XL	21	33.45	160	160
22XL	22	35.07	160	160
23XL	23	36.6	160	160
24XL	24	38.3	160	160
25XL	25	39.93	160	160
26XL	26	41.53	160	160
27XL	27	43	160	160
28XL	28	44.77	160	160
29XL	29	46.39	160	160
30XL	30	48	160	160
32XL	32	51.24	160	160
34XL	34	52.76	160	160
35XL	35	54.47	160	160
36XL	36	56.09	160	160
38XL	38	57.7	160	160
40XL	40	60.94	160	160
42XL	42	62.56	160	160
44XL	44	64.17	160	160
45XL	45	65.79	160	160
48XL	48	67.41	160	160
50XL	50	69.02	160	160
60XL	60	70.64	160	160
64XL	64	77.11	160	160
65XL	65	90.04	160	160
70XL	70	97	160	160
72XL	72	115.92	160	160

Part Code	Number of Teeth	De	Lu	L
10L	10	29.56	140	140
11L	11	32.59	140	140
12L	12	35.62	160	160
13L	13	38.65	160	160
14L	14	41.68	160	160
15L	15	44.72	160	160
16L	16	47.75	160	160
17L	17	50.78	160	160
18L	18	53.81	160	160
19L	19	56.84	160	160
20L	20	59.88	160	160
21L	21	62.91	160	160
22L	22	65.94	160	160
23L	23	68.97	160	160
24L	24	72	160	160
27L	27	81.1	160	160
30L	30	90.2	160	160

## STANDARD TOOTHED BARS

### HTD 3M

### HTD 5M

Part Code	Number of Teeth	Mat.	Dp	De	Lu	L
9-3M	9	AL	8.59	7.83	75	100
10-3M	10	AL	9.55	8.79	75	100
11-3M	11	AL	10.5	9.74	75	100
12-3M	12	AL	11.46	10.70	100	125
13-3M	13	AL	12.41	11.65	100	125
14-3M	14	AL	13.37	12.61	100	125
15-3M	15	AL	14.32	13.56	100	125
16-3M	16	AL	15.28	14.52	125	155
17-3M	17	AL	16.23	15.47	125	155
18-3M	18	AL	17.19	16.43	125	155
19-3M	19	AL	18.14	17.38	125	155
20-3M	20	AL	19.10	18.34	150	165
21-3M	21	AL	20.05	19.25	150	165
22-3M	22	AL	21.01	20.25	150	165
23-3M	23	AL	21.96	21.20	150	165
24-3M	24	AL	22.92	22.16	150	165
25-3M	25	AL	23.87	23.11	150	165
26-3M	26	AL	24.83	24.07	150	165
27-3M	27	AL	25.78	25.02	150	165
28-3M	28	AL	26.74	25.98	150	165
29-3M	29	AL	27.69	26.93	150	165
30-3M	30	AL	28.65	27.89	175	183
31-3M	31	AL	29.60	28.84	175	183
32-3M	32	AL	30.56	29.80	175	183
33-3M	33	AL	31.54	30.75	175	183
34-3M	34	AL	32.47	31.71	175	183
35-3M	35	AL	33.42	32.66	175	183
36-3M	36	AL	34.38	33.62	200	200
37-3M	37	AL	35.33	34.57	200	200
38-3M	38	AL	36.29	35.53	200	200
39-3M	39	AL	37.24	36.48	200	200
40-3M	40	AL	38.20	37.44	200	200
42-3M	42	AL	40.11	39.34	200	200
44-3M	44	AL	42.02	41.26	200	200
45-3M	45	AL	42.97	42.21	200	200
48-3M	48	AL	45.84	45.08	200	200
50-3M	50	AL	47.75	46.99	200	200
52-3M	52	AL	49.66	48.90	200	200
54-3M	54	AL	51.57	50.81	200	200
56-3M	56	AL	53.48	52.72	200	200
60-3M	60	AL	57.30	56.54	200	200
62-3M	62	AL	59.21	58.45	200	200
64-3M	64	AL	61.12	60.36	200	200
66-3M	66	AL	63.03	62.27	200	200
68-3M	68	AL	64.94	64.18	200	200
70-3M	70	AL	66.85	66.09	200	200
72-3M	72	AL	68.75	67.99	200	200

Part Code	Number of Teeth	Mat.	Dp	De	Lu	L
12-5M	12	AL	19.10	17.96	150	165
13-5M	13	AL	20.69	19.55	150	165
14-5M	14	AL	22.28	21.14	175	183
15-5M	15	AL	23.87	22.73	175	183
16-5M	16	AL	25.46	24.32	175	183
17-5M	17	AL	27.06	25.92	175	183
18-5M	18	AL	28.65	27.51	200	200
19-5M	19	AL	30.24	29.10	200	200
20-5M	20	AL	31.83	30.69	200	200
21-5M	21	AL	33.42	32.28	200	200
22-5M	22	AL	35.01	33.87	200	200
23-5M	23	AL	36.61	35.47	200	200
24-5M	24	AL	38.20	37.06	200	200
25-5M	25	AL	39.79	38.65	200	200
26-5M	26	AL	41.38	40.24	200	200
27-5M	27	AL	42.97	41.83	200	200
28-5M	28	AL	44.56	43.32	200	200
29-5M	29	AL	46.15	45.01	200	200
30-5M	30	AL	47.75	46.60	200	200
31-5M	31	AL	49.34	48.20	200	200
32-5M	32	AL	50.93	49.79	200	200
33-5M	33	AL	52.52	51.38	200	200
34-5M	34	AL	54.11	52.97	200	200
35-5M	35	AL	55.70	54.56	200	200
36-5M	36	AL	57.30	56.16	200	200
38-5M	38	AL	60.48	59.34	200	200
40-5M	40	AL	63.66	62.52	200	200
42-5M	42	AL	66.85	65.71	200	200
44-5M	44	AL	70.03	68.89	200	200
45-5M	45	AL	71.62	70.48	200	200
46-5M	46	AL	73.21	72.07	200	200
48-5M	48	AL	76.39	75.25	200	200
50-5M	50	AL	79.58	78.43	200	200
54-5M	54	AL	85.94	84.80	200	200
60-5M	60	AL	95.49	94.35	200	200
62-5M	62	AL	98.68	97.54	200	200
72-5M	72	AL	114.59	113.45	200	200

## STANDARD TOOTHED BARS

**T2.5 (Pitch 2.5mm)**

**Material: AL**

**T5 (Pitch 5mm)**

**Material: AL**

**T10 (Pitch 10mm)**

**Material: AL**

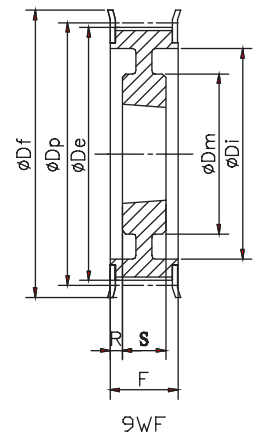
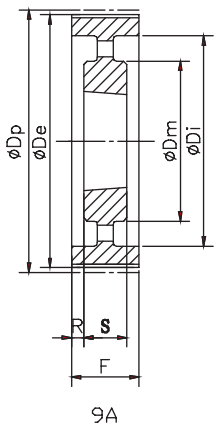
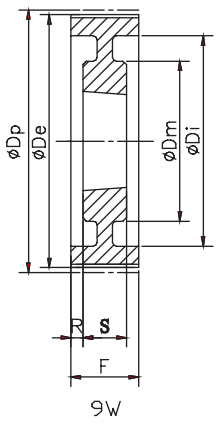
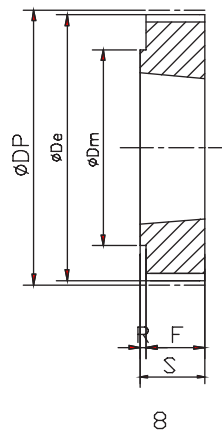
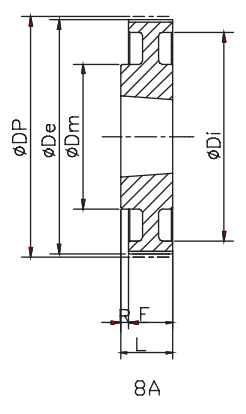
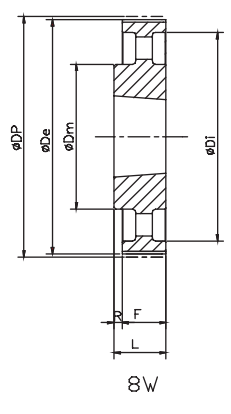
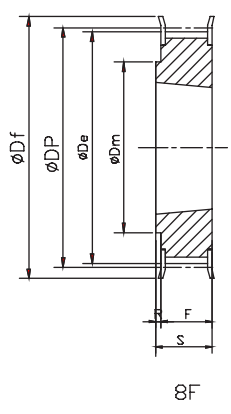
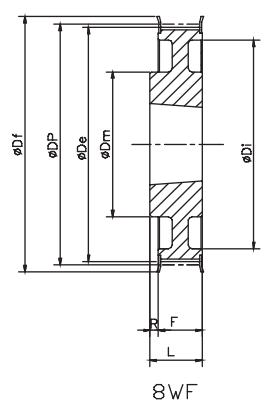
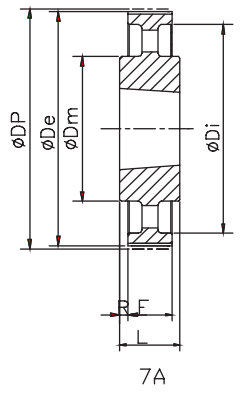
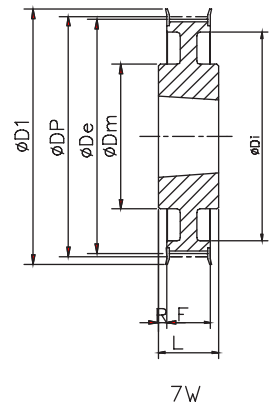
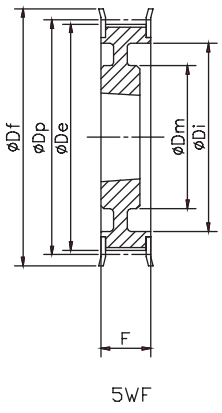
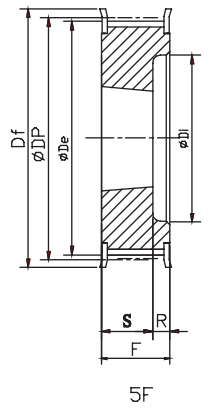
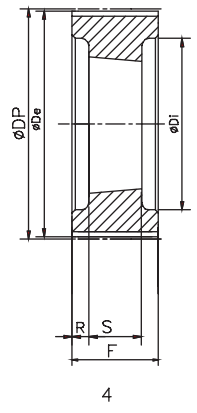
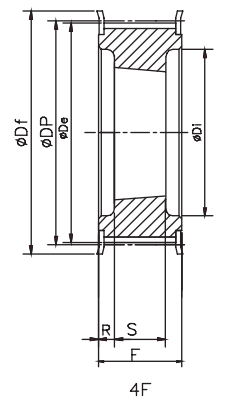
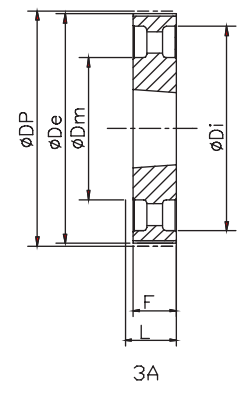
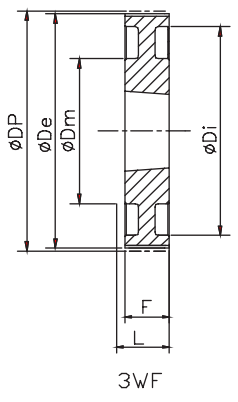
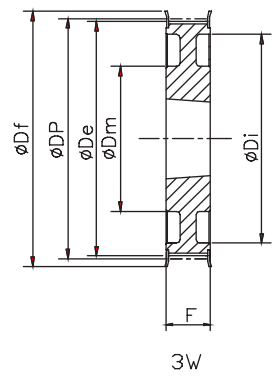
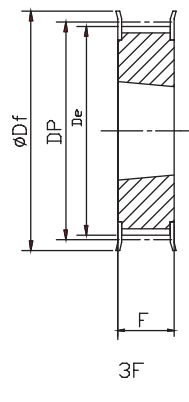
Part Code	Number of Teeth	De	Lu	L
10-T2.5	10	7.42	50	75
12-T2.5	12	9	50	75
13-T2.5	13	9.8	50	75
14-T2.5	14	10.6	50	75
15-T2.5	15	11.4	50	75
16-T2.5	16	12.2	50	75
17-T2.5	17	13	50	75
18-T2.5	18	13.8	50	75
19-T2.5	19	14.6	50	120
20-T2.5	20	15.4	50	120
21-T2.5	21	16.2	50	120
22-T2.5	22	17	50	140
24-T2.5	24	18.55	50	140
26-T2.5	26	20.15	50	140
27-T2.5	27	20.95	50	140
28-T2.5	28	21.75	50	140
29-T2.5	29	22.55	50	140
30-T2.5	30	23.35	50	140
32-T2.5	32	24.95	125	140
34-T2.5	34	26.55	125	140
35-T2.5	35	27.35	125	140
36-T2.5	36	28.1	125	140
38-T2.5	38	29.7	125	140
40-T2.5	40	31.3	125	140
42-T2.5	42	32.9	125	140
44-T2.5	44	34.5	125	140
45-T2.5	45	35.3	125	140
48-T2.5	48	37.7	125	140
50-T2.5	50	39.29	125	160
60-T2.5	60	47.25	125	160
65-T2.5	65	51.2	125	160
70-T2.5	70	55.2	125	160
72-T2.5	72	56.8	125	160
90-T2.5	90	71.12	125	160
100-T2.5	100	79.08	125	160

Part Code	Number of Teeth	De	Lu	L
10-T5	10	15.05	125	140
11-T5	11	16.65	125	140
12-T5	12	18.25	125	140
13-T5	13	19.85	125	140
14-T5	14	21.45	132	140
15-T5	15	23.05	132	140
16-T5	16	24.6	140	140
17-T5	17	26.2	140	140
18-T5	18	27.8	140	140
19-T5	19	29.4	140	160
20-T5	20	31	160	160
21-T5	21	32.7	160	160
22-T5	22	34.15	160	160
23-T5	23	35.85	160	160
24-T5	24	37.4	160	160
25-T5	25	38.95	160	160
26-T5	26	40.6	160	160
27-T5	27	42.2	160	160
28-T5	28	43.75	160	160
29-T5	29	45.35	160	160
30-T5	30	46.95	160	160
32-T5	32	50.1	160	160
34-T5	34	53.25	160	160
35-T5	35	54.85	160	160
36-T5	36	56.45	160	160
37-T5	37	58.06	160	160
38-T5	38	59.65	160	160
40-T5	40	62.85	160	160
42-T5	42	66	160	160
44-T5	44	69.2	160	160
45-T5	45	70.8	160	160
46-T5	46	72.4	160	160
48-T5	48	75.55	160	160
50-T5	50	78.75	160	160
60-T5	60	94.65	160	160
72-T5	72	114	160	160
80-T5	80	126.48	160	160
90-T5	90	142.40	160	160

Part Code	Number of Teeth	De	Lu	L
10-T10	10	29.98	140	140
11-T10	11	33.16	140	140
12-T10	12	36.35	140	140
13-T10	13	39.5	140	140
14-T10	14	42.7	160	160
15-T10	15	45.9	160	160
16-T10	16	49.1	160	160
17-T10	17	52.25	160	160
18-T10	18	55.45	160	160
19-T10	19	58.65	160	160
20-T10	20	61.8	160	160
21-T10	21	65	160	160
22-T10	22	68.2	160	160
23-T10	23	71.35	160	160
24-T10	24	74.55	160	160
26-T10	26	80.9	160	160
28-T10	28	87.25	160	160
30-T10	30	93.65	160	160
32-T10	32	100	160	160
34-T10	34	106.4	160	160
36-T10	36	112.75	160	160
38-T10	38	119.1	160	160
40-T10	40	125.45	160	160
45-T10	45	141.4	160	160
48-T10	48	150.95	160	160
60-T10	60	189.1	160	160
72-T10	72	227.29	160	160

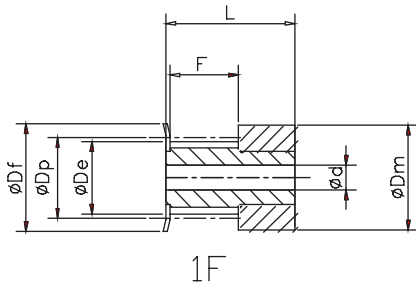
# PI PULLEY

by  PIZZIRANI

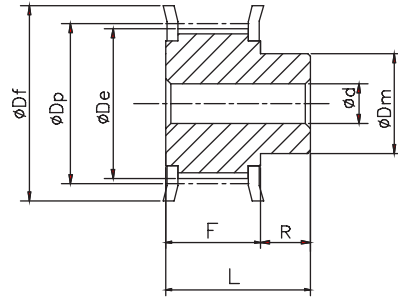


# PI PULLEY

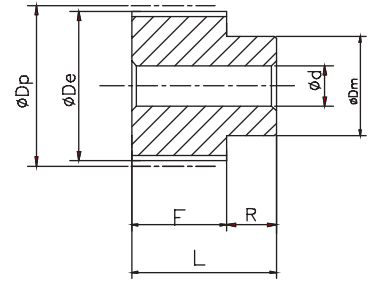
by PIZZIRANI



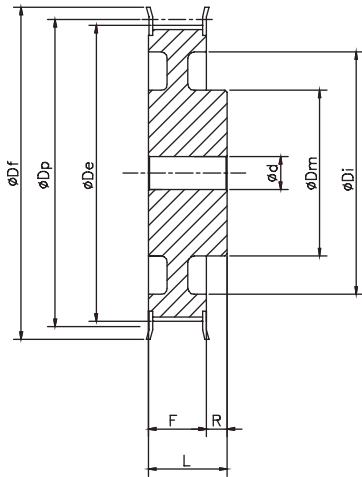
1F



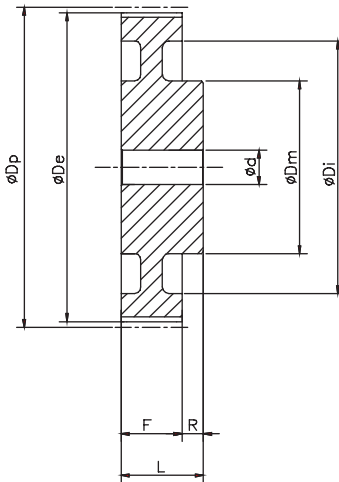
6F



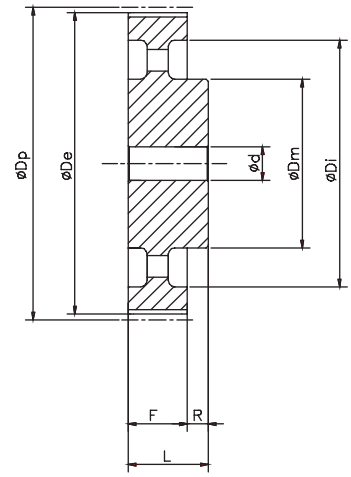
6



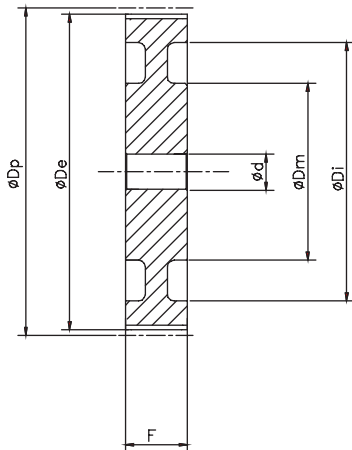
6WF



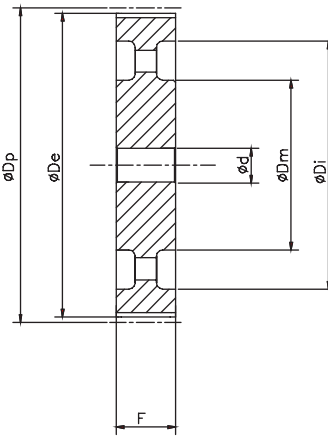
6W



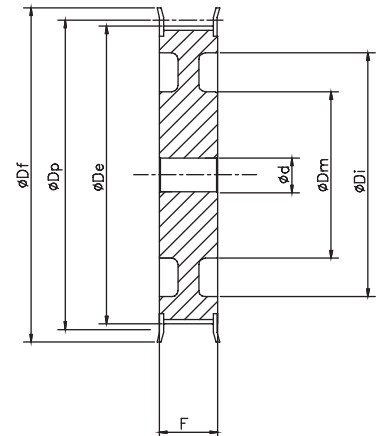
6A



10W



10A



10WF

